

## SPECIFICATIONS

Model No.		PLFE-10S
Dimensions	Length	150mm
	Width	87mm
	Height	93mm
Weight		1000g

## CHARACTERISTICS

Nominal Voltage		12V
Capacity		4Ah
Nominal Power		48Wh
Initial Impedance		<12mΩ
Working Voltage		8V~14.4V
Operating Temperature	Charge	0°C ~ +45°C
	Discharge	-20°C ~ +55°C
Storage Temperature		0°C~30°C
Charge Current		2A (0.5C), Max. 8A (2C)
Charge Retention		30 days ≥95%
Discharge	Continuous	160A (40C)
	Maximum	280A (70C, 15S)
CCA ( -18°C storage for 20h )		120A (30C, 15S)
Cycle Life		2000 cycles

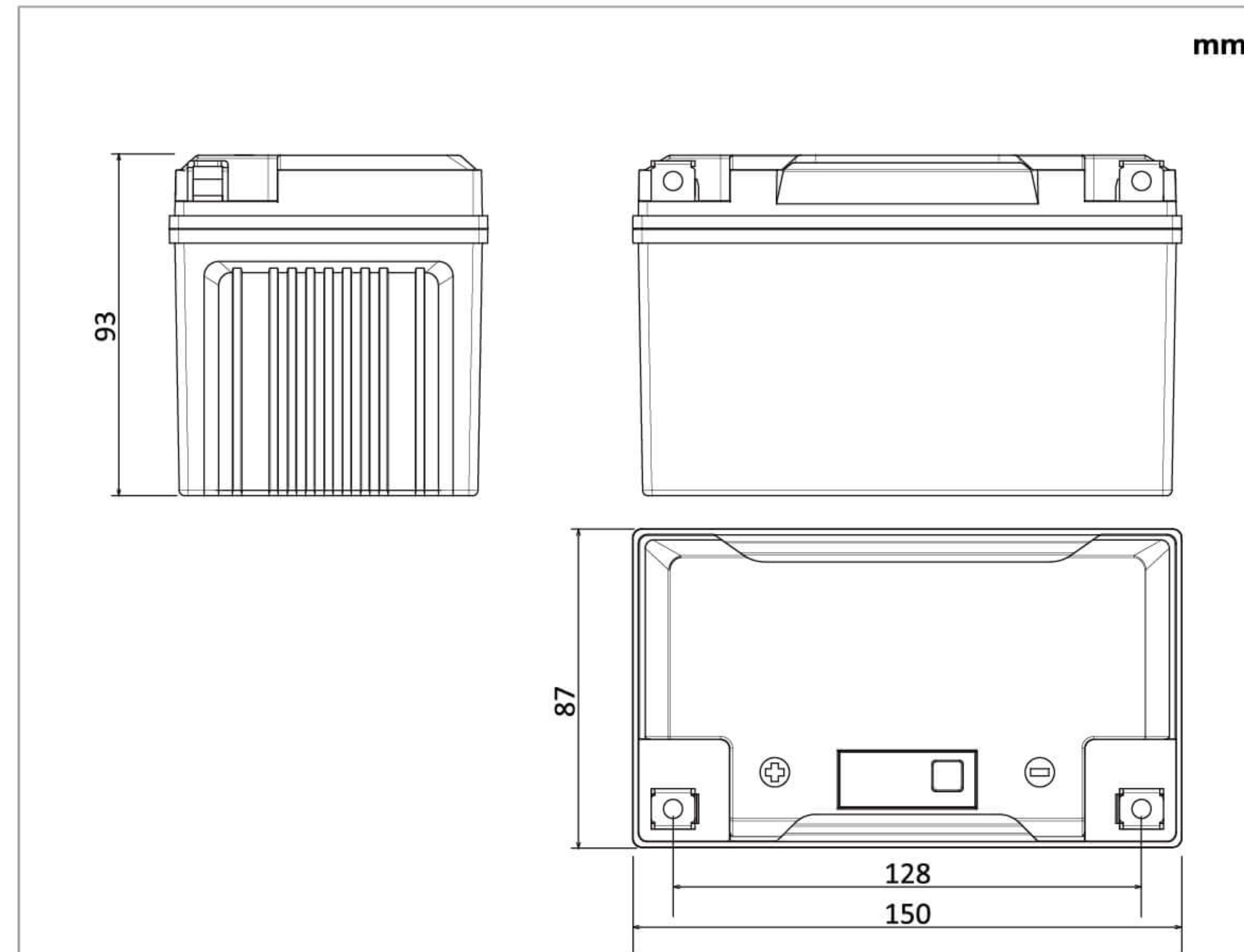


**PLFE-10S**

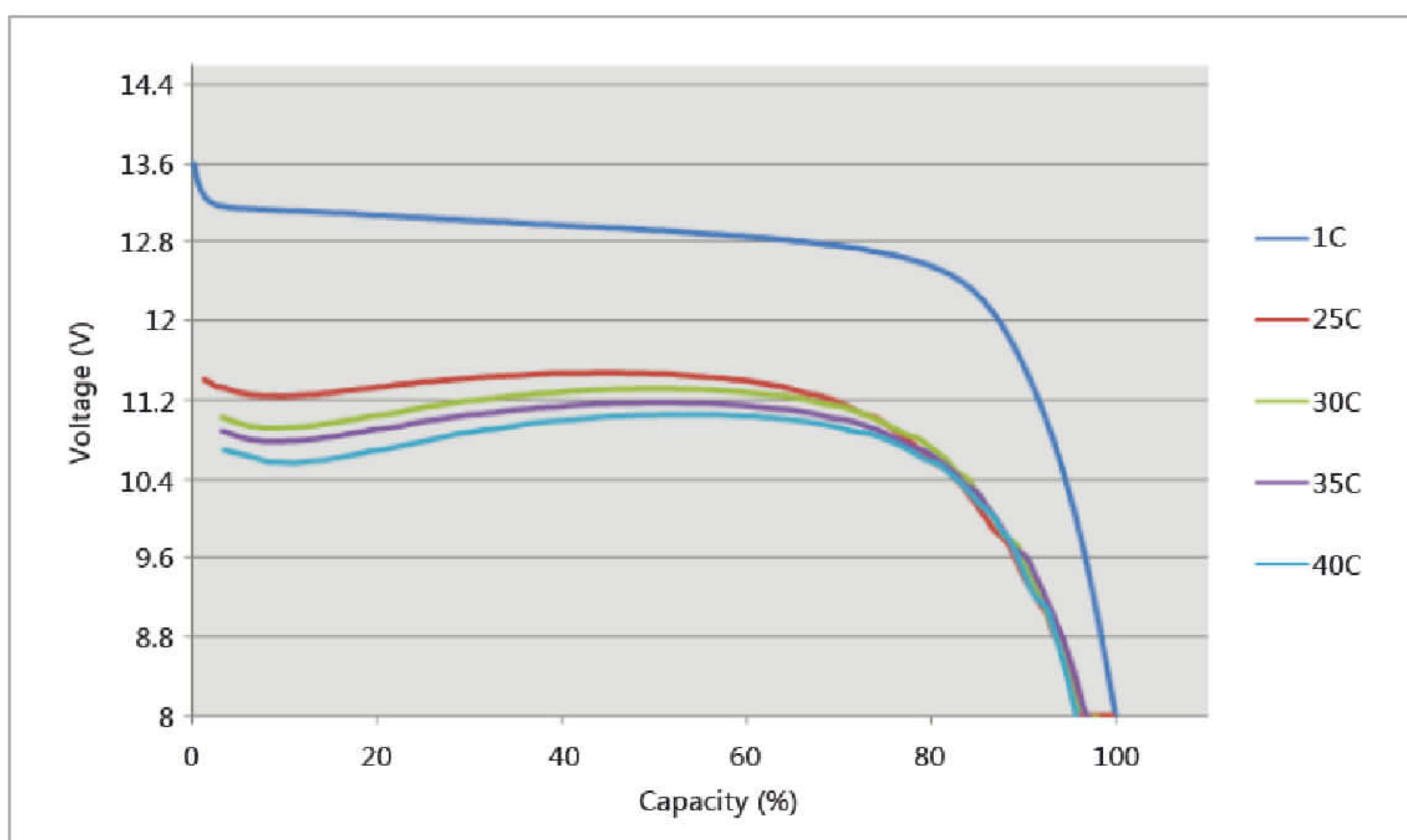
## REPLACEMENTS

**YTZ10S**

## DRAWINGS



## DISCHARGING GRAPH



## CERTIFICATIONS

**UN38.3 CE**

