



SPECIFICATIONS

Model No.		PLFP-14R
Dimensions	Length	148mm
	Width	86mm
	Height	105mm
Weight		1.06kg

CHARACTERISTICS

Nominal Voltage		12V
Capacity		4Ah
Nominal Power		48Wh
Internal Resistance		<10mΩ
Working Voltage		10V~14.4V
Operating Temperature Range	Charge	0°C ~ +45°C
	Discharge	-20°C ~ +55°C
	Storage	0°C ~ 30°C
Charge Current (A)		2A(0.5C) , Max. 8A(2C)
Charge Retention		30 days > 97%
Discharge	Continuous	160A (40C)
	Maximum	280A(70C) ≤15S
CCA (-18°C storage for 20h)		120A(30C) ≤15S
Cycle Life		2000 cycles

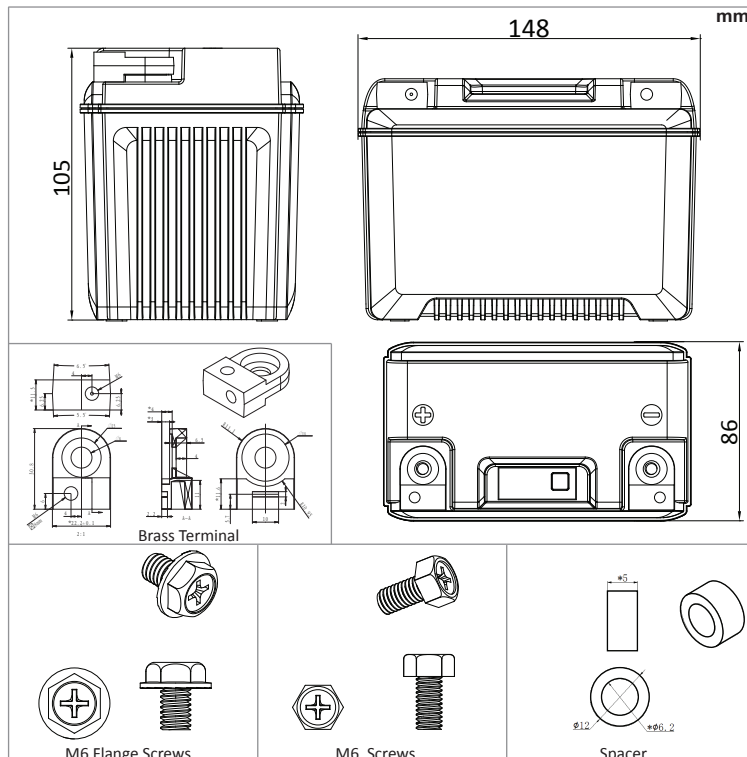


PLFP-14R

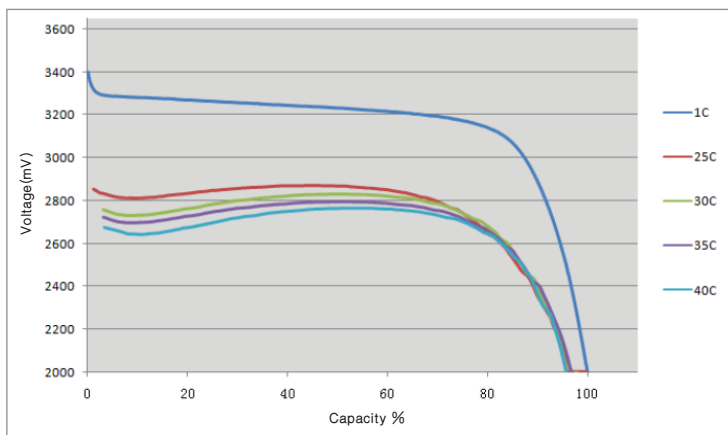
REPLACEMENTS

YTZ12S	YTX12A-BS	KMX14-BS
YTZ14S	YTX14-BS	
YTX12-BS	YTX14H-BS	

DRAWINGS



DISCHARGING GRAPH



CERTIFICATIONS

