

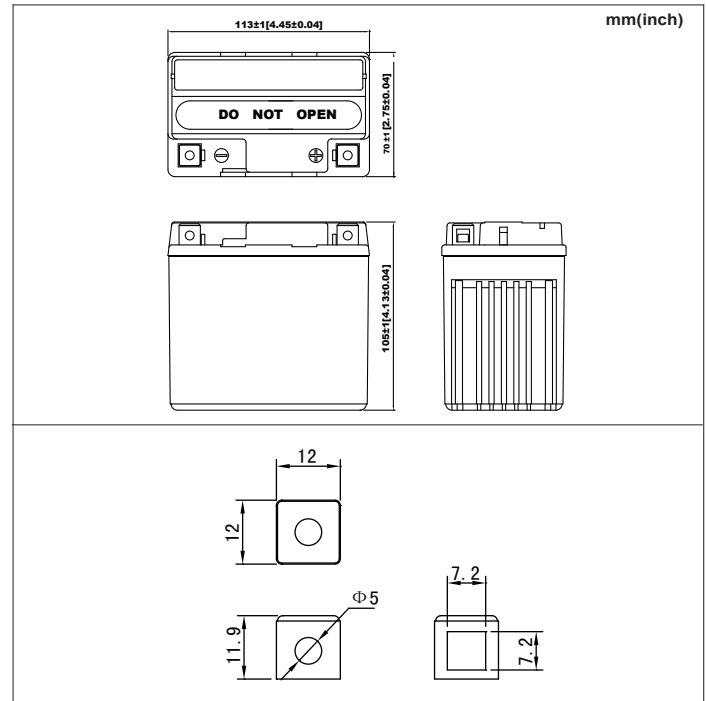
YTZ7-BS

Specifications

Model NO .	YTZ7S-BS	
Same Dimensions As YUASA Model	YTZ7S	
Nominal Voltage	12V	
Rated Capacity (10 hours rate)	5.5AH	
Dimension	Length	113mm (4.45inches)
	Width	70mm (2.75inches)
	Height	105mm (4.13inches)
	Total Height	105mm (4.13inches)
Approx. Weight W/O . ACID	1.55kg (3.41Lbs)	
Approx. ACID Per Battery	0.28L	
Charge Current (A)	0.55A	



Dimensions



Characteristics

Capacity 25°C(77°F)	10hours rate (0.55A to 10.5V)	5.5Ah
	5hours rate (1.1A to 10.2V)	4.6Ah
	1C (5.5A to 9.6V)	2.4Ah
	3C (16.5A to 9.6V)	2.0Ah
Cold Cranking Amperes(-18°C SAE Standard)	60A	
Cold Cranking Amperes(-18°C EN Standard)	90A	
Internal Resistance (at 1KHz)	Approx. 7.0mΩ	
Operating Temperature Range	Charge	0°C (32°F) to 40°C (104°F)
	Discharge	-15°C (5°F) to 50°C (122°F)
	Storage	-15°C (5°F) to 40°C (104°F)
Life Expectancy (Cycle Use)	100% depth of discharge 200 cycles	
	80% depth of discharge 225 cycles	
	50% depth of discharge 500 cycles	
Charge Retention (shelf life) at 20°C (68°F)	1 month	92%
	3 month	90%
	6 month	80%
Standby Use	3~5 years	
Case Material	PP	

(V) FOR 12V BATTERY

Discharge Time VS. Discharge Current(25 °C)

