

## YTZ5-BS

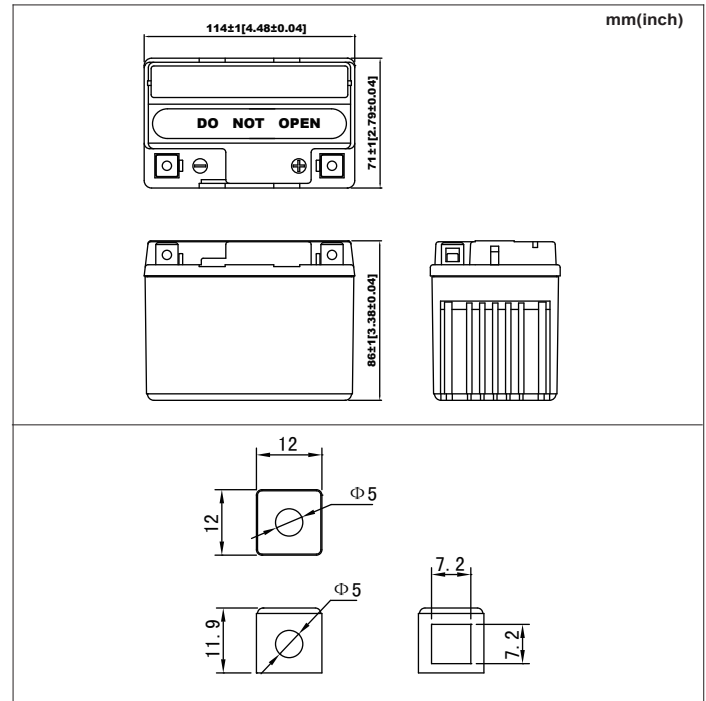
Tel.: 86-592-5558101 Fax: 86-592-5518019  
 E-mail: sales@yucell.com  
 Add.: 7/F, Haiyun Building, 16 Haishan Road, Xiamen, China

### Specifications

Model NO .	YTZ5S-BS	
Same Dimensions As YUASA Model	YTZ5S	
Nominal Voltage	12V	
Rated Capacity (10 hours rate)	4AH	
Dimension	Length	114mm (4.48inches)
	Width	70mm (2.75 inches)
	Height	85mm (3.35nches)
	Total Height	85mm (3.35inches)
Approx. Weight W/O . ACID	1.19kg (6.8Lbs)	
Approx. ACID Per Battery	0.18 L	
Charge Current (A)	0.4A	



### Dimensions



### Characteristics

Capacity 25°C (77°F)	10hours rate (0.4A to 10.5V)	4Ah
	5hours rate (0.8A to 10.2V)	3.4Ah
	1C (4A to 9.6V)	1.8Ah
	3C (12A to 9.6V)	1.4Ah
Cold Cranking Amperes(-18°C SAE Standard)	45A	
Cold Cranking Amperes(-18°C EN Standard)	67.5 A	
Internal Resistance (at 1KHz)	Approx. 7.0m Ω	
Operating Temperature Range	Charge	0°C (32°F) to 40°C (104°F)
	Discharge	-15°C (5°F) to 50°C (122°F)
	Storage	-15°C (5°F) to 40°C (104°F)
Life Expectancy (Cycle Use)	100% depth of discharge 200 cycles	
	80% depth of discharge 225 cycles	
	50% depth of discharge 500 cycles	
Charge Retention (shelf life) at 20°C (68°F)	1 month	92%
	3 month	90%
	6 month	80%
Standby Use	3~5 years	
Case Material	PP	

(V) FOR 12V BATTERY

### Discharge Time VS. Discharge Current(25 °C)

