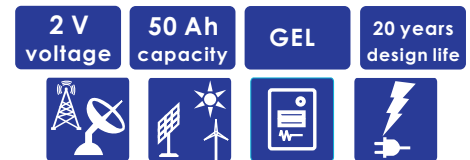


2V LSG SERIES VRLA BATTERY

By combining the newly developed nano gel electrolyte with up-to-date AGM structures, BSB created the innovative LSG range of batteries. It is very suitable for cyclic use under extreme operating conditions. The range offers 20 years design life with high reliability and stable performance. It is highly suited to telecom outdoor application, renewable energy system and other harsh environment applications.



SPECIFICATIONS

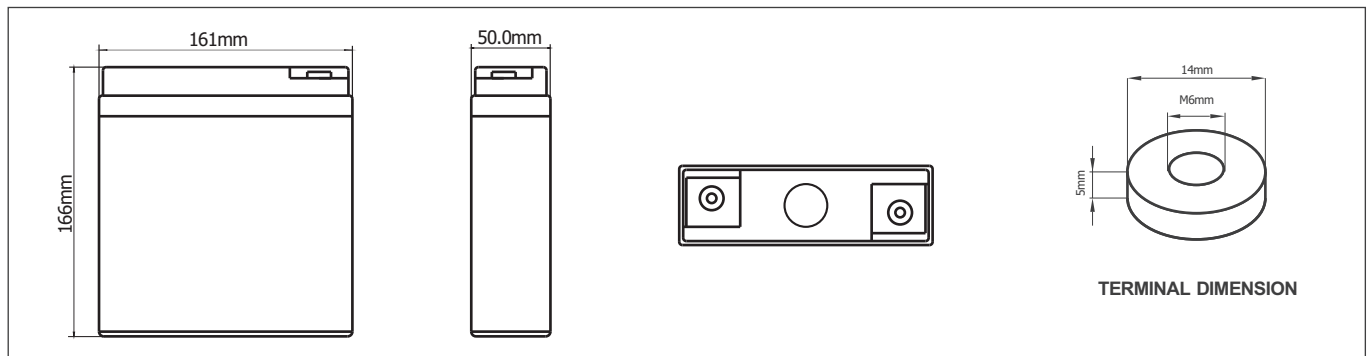
Nominal Voltage (V)	2
Designed Floating Life (20°C)	20 Years
Nominal Capacity (20°C)	50 Ah @ C10 (to 1.80Vpc)
Dimensions	L161mm × W50mm × H166mm
Approx. Weight	3.1 kg (6.84 lbs)
Terminal Type	Female Copper Insert M6 (torque:6~7N.m)
Internal Resistance	Approx. 1.2mOhm (fully charged @ 20°C)
Max. Charge Current	12.5 A
Max. Discharge Current (5S)	500 A
Short Circuit Current	1000 A
Self Discharge	Approx. 3% per month @ 20°C
Ambient Temperature	Discharge: -40~60°C Charge: -25~60°C Storage: -25~45°C
Float Charge Voltage (20~25°C)	2.25-2.29V (-3mV / °C/ cell)
Equalize Charge Voltage (20~25°C)	2.35-2.40V (-5mV / °C/ cell)
Container Material	ABS(UL94-V0 optional)



Complied standards

- IEC 60896-21/22
- IEC61427
- YD/T1360
- Eurobat guide, long life
- BS6290 part 4
- UL1989

DIMENSIONS

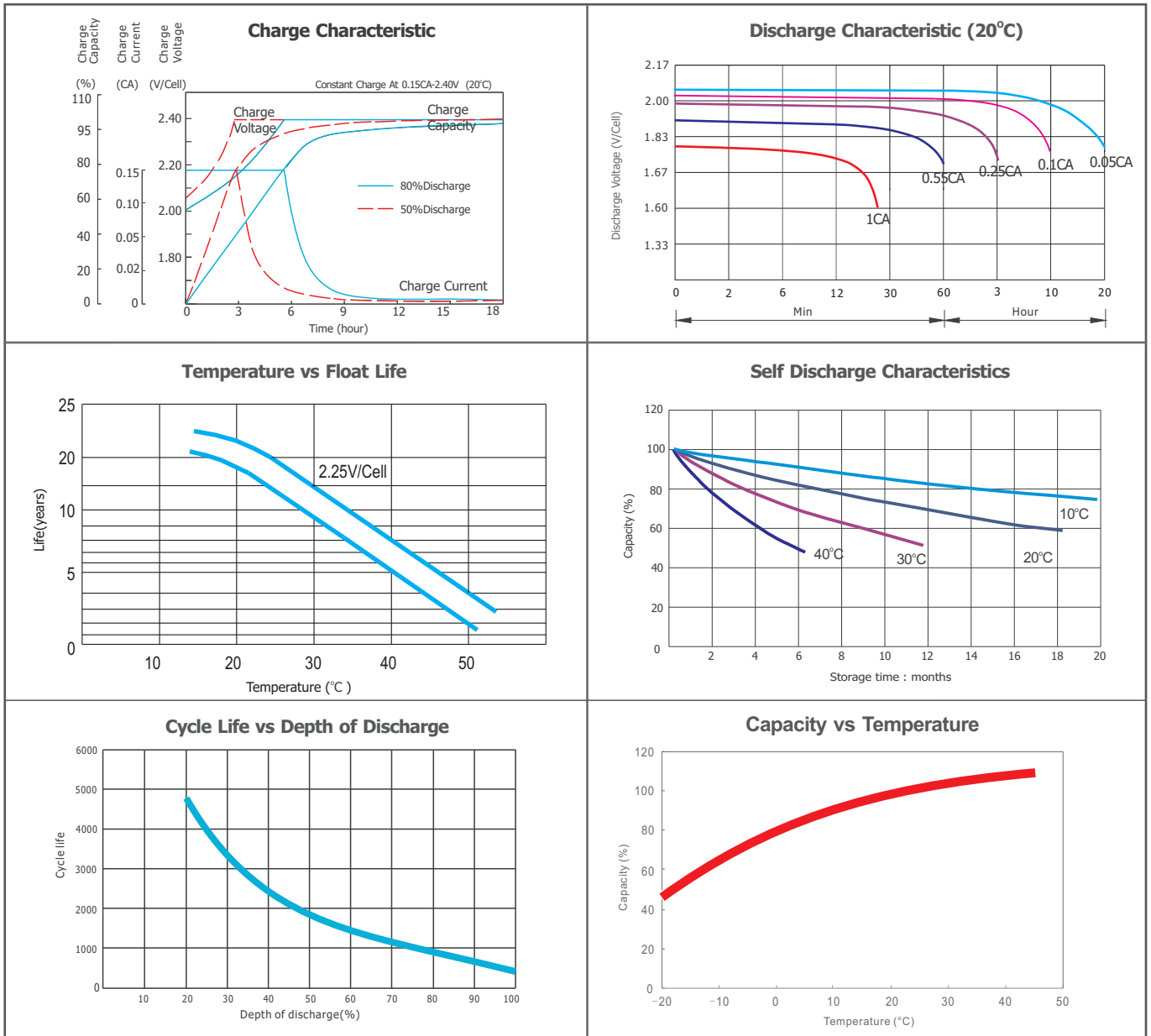


BATTERY DISCHARGE TABLE

Constant Current Discharge Characteristics: Amps (20°C)												
F.V/Time	5min	10min	15min	30min	45min	1h	2h	3h	4h	5h	8h	10h
1.60V	128	101	88.4	57.2	39.8	32.0	19.3	14.1	11.4	9.58	6.59	5.42
1.65V	113	92.6	83.2	52.8	38.1	30.5	18.8	13.8	11.1	9.40	6.50	5.34
1.70V	108	87.3	79.3	48.4	35.7	28.8	18.1	13.4	10.9	9.27	6.39	5.26
1.75V	103	82.9	75.1	45.1	34.1	27.7	17.5	13.0	10.6	9.01	6.31	5.14
1.80V	99.0	78.6	70.9	42.9	31.7	25.9	16.7	12.6	10.2	8.80	6.13	5.00
1.85V	87.6	69.6	62.8	38.8	28.7	23.4	15.1	11.9	9.75	8.40	5.94	4.85

Constant Power Discharge Characteristics: W/cell (20°C)												
F.V/Time	5min	10min	15min	30min	45min	1h	2h	3h	4h	5h	8h	10h
1.60V	214	171	151	99.0	69.7	56.3	34.6	25.5	20.8	17.7	12.5	10.3
1.65V	194	161	145	92.9	67.8	54.6	34.2	25.3	20.6	17.6	12.4	10.2
1.70V	190	154	141	86.8	64.6	52.3	33.3	24.9	20.4	17.5	12.3	10.1
1.75V	183	148	135	82.0	62.4	50.9	32.6	24.4	20.1	17.2	12.2	10.0
1.80V	179	143	130	79.2	58.8	48.3	31.5	24.0	19.6	17.0	12.0	9.85
1.85V	163	130	118	73.4	54.5	44.7	29.1	23.1	19.1	16.5	11.8	9.68

CHARACTERISTICS



FINAL VOLTAGE SETTINGS RECOMMENDED ACCORDING TO THE DISCHARGE CURRENT

Discharge Current I (A)	$I < 0.05C$	$0.05C \leq I < 0.08C$	$0.08C \leq I < 0.2C$	$0.2C \leq I < 0.6C$	$0.6C \leq I < 1.0C$	$1C \leq I \leq 2C$
Final of Voltage	≥ 1.90 Vpc	≥ 1.85 Vpc	≥ 1.80 Vpc	≥ 1.75 Vpc	≥ 1.7 Vpc	≥ 1.6 Vpc

HEADQUARTERS AND SUBSIDIARIES

- BSB Power Company Limited (HQ)
- BSB Power Europe (France)
- BSB Power Malaysia Sdn. Bhd
- PT. BSB Indonesia
- BSB Power (Thailand) Co., Ltd
- BSB Power Company Pakistan Ltd



Country of origin: China