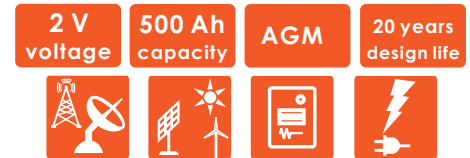


2V LSE SERIES VRLA BATTERY

The LSE series has a 20 years design life in float service. With heavy duty grids, thicker plates, special additives and updated AGM Valve Regulated technology, the LSE series battery provides consistent performance and long service life.

This series is highly suited for telecommunications, UPS systems, renewable energy systems, power stations and similar applications.



SPECIFICATIONS

Nominal Voltage (V)	2
Designed Floating Life (20°C)	20 Years
Nominal Capacity (20°C)	500 Ah @ C ₁₀ (to 1.80Vpc)
Dimensions	L197mm × W187mm × H375mm
Approx. Weight	30.0 kg (66.2 lbs)
Terminal Type	Female Copper Insert M8 (torque:10~12N.m)
Internal Resistance	Approx. 0.3mOhm (fully charged @ 20°C)
Max. Charge Current	125 A
Max. Discharge Current (5S)	2000 A
Short Circuit Current	6000 A
Self Discharge	Approx. 3% per month @ 20°C
Ambient Temperature	Discharge: -25~60°C Charge: -25~60°C Storage: -25~45°C
Float Charge Voltage (20~25°C)	2.25-2.29V (-3mV / °C/ cell)
Equalize Charge Voltage (20~25°C)	2.35-2.40V (-5mV / °C/ cell)
Container Material	ABS(UL94-V0 optional)



ISO9001



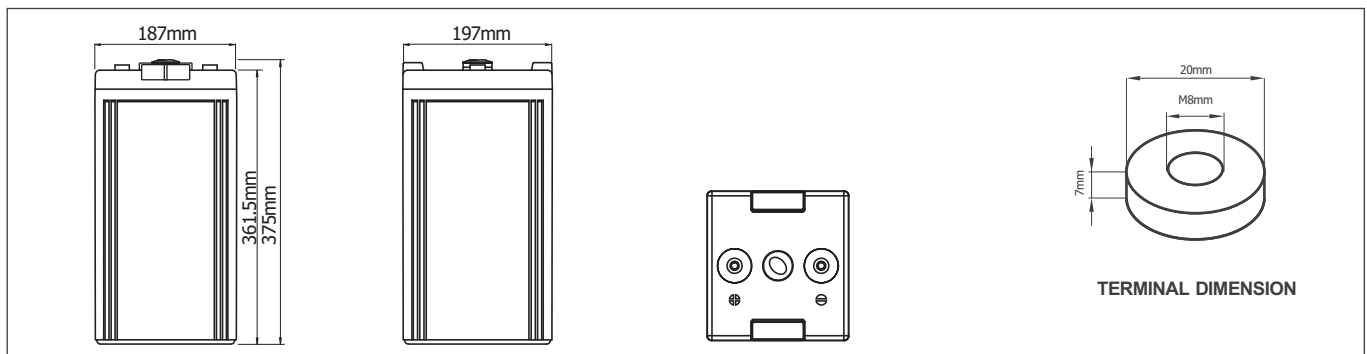
ISO14001



Complied standards

- IEC 60896-21/22
- IEC61427
- YD/T1360
- Eurobat guide, long life
- BS6290 part 4
- UL1989

DIMENSIONS

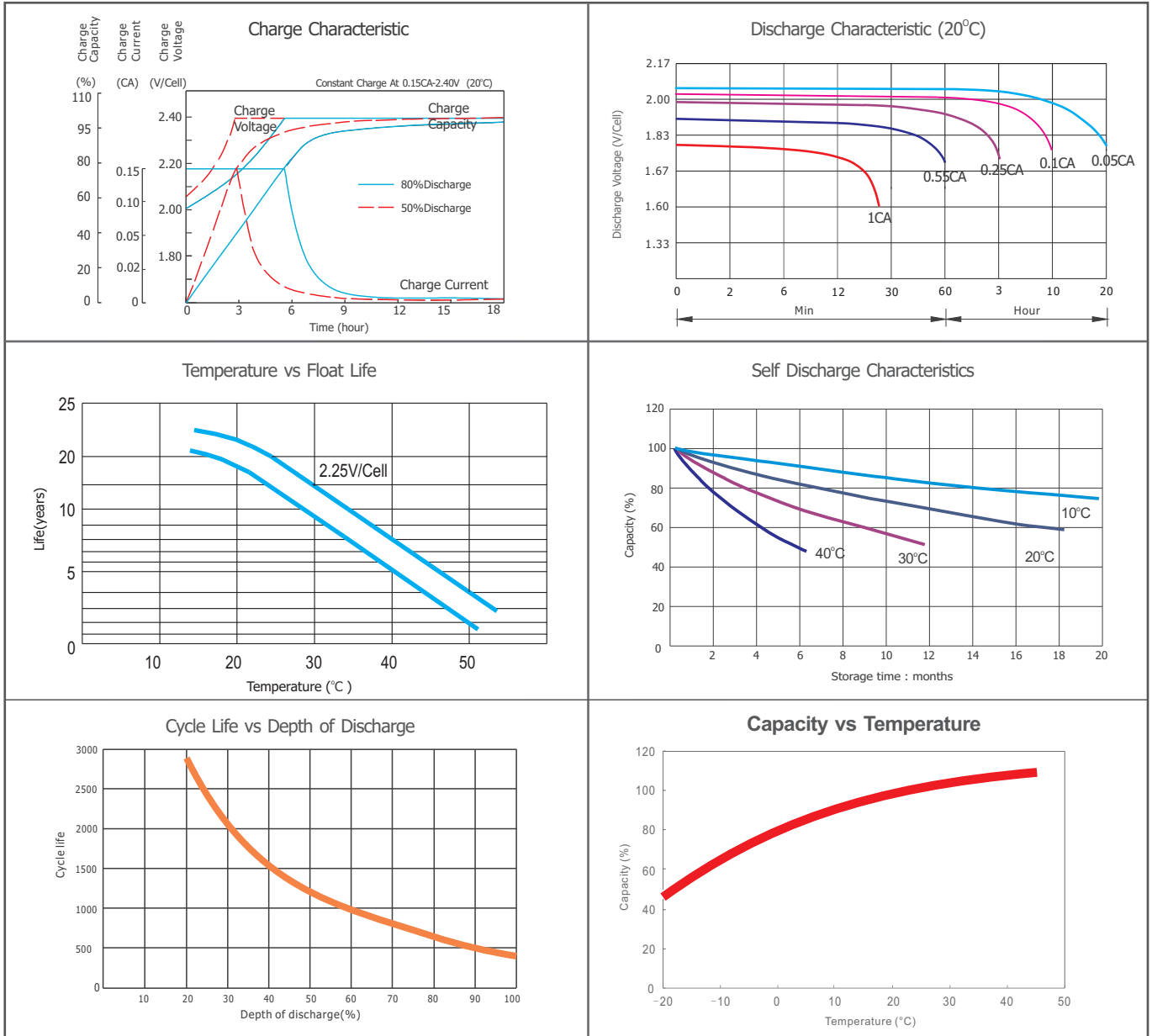


BATTERY DISCHARGE TABLE

Constant Current Discharge Characteristics: Amps (20°C)												
F.V/Time	5min	10min	15min	30min	45min	1h	2h	3h	4h	5h	8h	10h
1.60V	859	727	687	525	398	320	193	141	114	95.8	65.9	54.2
1.65V	758	668	646	485	381	305	188	138	111	94.0	65.0	53.4
1.70V	727	630	616	444	357	288	181	134	109	92.7	63.9	52.6
1.75V	693	598	584	414	341	277	175	130	106	90.1	63.1	51.4
1.80V	667	567	550	394	317	259	167	126	102	88.0	61.3	50.0
1.85V	590	502	488	357	287	234	151	119	97.5	84.0	59.4	48.5

Constant Power Discharge Characteristics: W/cell (20°C)												
F.V/Time	5min	10min	15min	30min	45min	1h	2h	3h	4h	5h	8h	10h
1.60V	1442	1236	1176	909	697	563	346	255	208	177	125	103
1.65V	1303	1158	1129	853	678	546	342	253	206	176	124	102
1.70V	1280	1112	1094	797	646	523	333	249	204	175	123	101
1.75V	1233	1070	1051	753	624	509	326	244	201	172	122	100
1.80V	1207	1031	1007	727	588	483	315	240	196	170	120	98.5
1.85V	1097	938	915	674	545	447	291	231	191	165	118	96.8

CHARACTERISTICS



FINAL VOLTAGE SETTINGS RECOMMENDED ACCORDING TO THE DISCHARGE CURRENT

Discharge Current I (A)	$I < 0.05C$	$0.05C \leq I < 0.08C$	$0.08C \leq I < 0.2C$	$0.2C \leq I < 0.6C$	$0.6C \leq I < 1.0C$	$1C \leq I \leq 2C$
Final of Voltage	≥ 1.90 Vpc	≥ 1.85 Vpc	≥ 1.80 Vpc	≥ 1.75 Vpc	≥ 1.7 Vpc	≥ 1.6 Vpc

HEADQUARTERS AND SUBSIDIARIES

- BSB Power Company Limited (HQ)
- BSB Power Europe (France)
- BSB Power Malaysia Sdn. Bhd
- PT. BSB Indonesia
- BSB Power (Thailand) Co., Ltd
- BSB Power Company Pakistan Ltd

