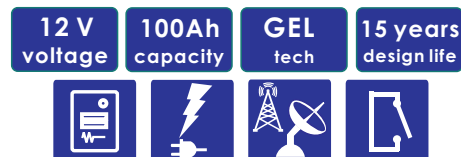


FAG SERIES VRLA BATTERY

By combining the newly developed nano gel electrolyte with up-to-date AGM structures, BSB created the innovation FAG range of batteries. The range features 15 years design life and front access connections for fast, easy installation and maintenance. This range battery is highly suited to telecom outdoor applications, renewable energy systems and other harsh environment applications.



TECHNICAL SPECIFICATIONS

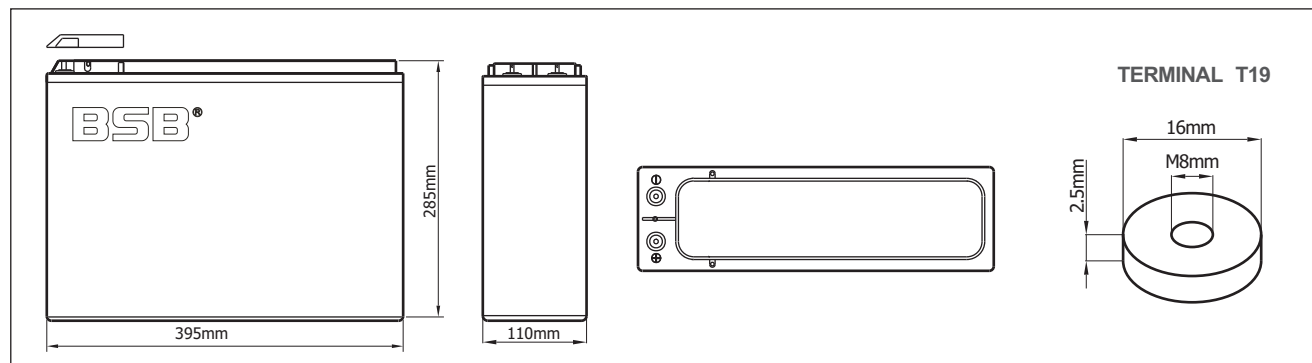
| | |
|---|--|
| Nominal Voltage (V) | 12 (6 cells per unit) |
| Designed Floating Life (20°C) | 15 Years |
| Nominal Capacity (20°C) | 100 Ah @ 10HR-rate (to 1.80Vpc) |
| Dimension (mm) | L395mm x W110mm x H285mm |
| Approx. Weight | 33.5 kg (73.9 lbs) |
| Terminal Type | Female Copper Insert M8 (torque:10~12N.m) |
| Internal Resistance | Approx. 0.006 Ohm (fully charged @ 20°C) |
| Max. Charge Current | 25A |
| Max. Discharge Current (5S) | 800 A |
| Short Circuit Current | 2000 A |
| Self Discharge | Approx. 3% per month @ 20°C |
| Ambient Temperature | Discharge: -25~60°C Charge: -25~60°C Storage: -25~45°C |
| Float Charge Voltage (20~25°C) | 13.5-13.7V (-3mV/ cell/ °C) |
| Equalize and cycle Use Charge Voltage (20~25°C) | 14.1-14.4V (-5mV/ cell / °C) |
| Container Material | ABS (UL94-V0 optional) |



Complied standards

- IEC 60896-21/22
- UL1989
- JIS C8704
- GB/T19639

BATTERY DIMENSIONS

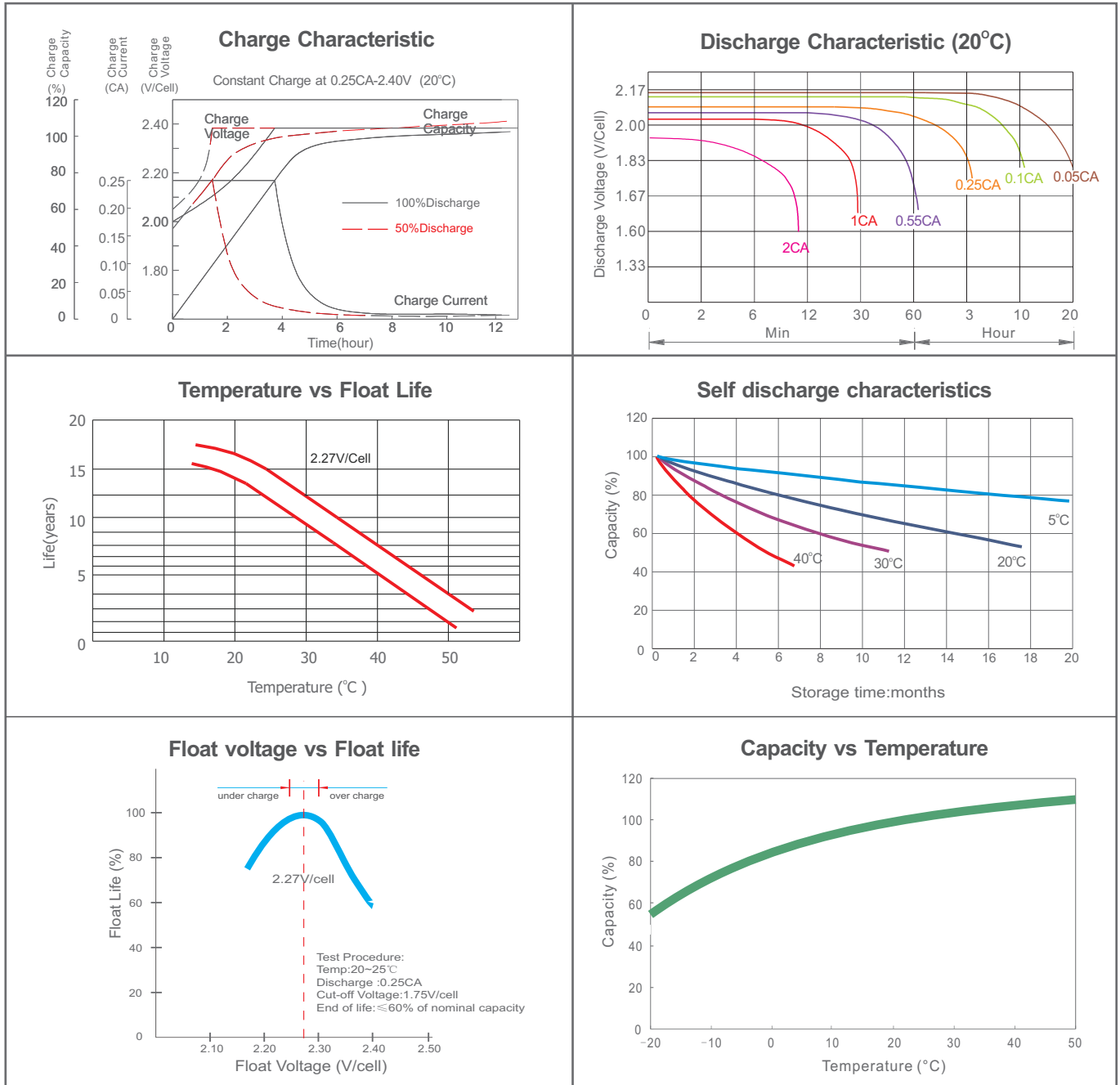


BATTERY DISCHARGE TABLE

| Constant Current Discharge Characteristics: Amps (20°C) | | | | | | | | | | | | |
|---|--------|---------|---------|---------|------|------|------|------|------|------|------|------|
| F.V/Time | 5 m in | 10 m in | 15 m in | 30 m in | 1 h | 2 h | 3 h | 4 h | 5 h | 8 h | 10 h | 20 h |
| 1.60V | 270 | 189 | 163 | 102 | 60.8 | 35.8 | 27.5 | 22.1 | 18.2 | 12.8 | 10.6 | 5.50 |
| 1.67V | 241 | 174 | 153 | 97.8 | 59.2 | 35.2 | 27.1 | 21.6 | 18.0 | 12.6 | 10.5 | 5.45 |
| 1.70V | 215 | 158 | 145 | 94.1 | 57.9 | 34.7 | 26.8 | 21.4 | 17.8 | 12.5 | 10.3 | 5.38 |
| 1.75V | 187 | 147 | 134 | 90.8 | 56.7 | 34.1 | 26.4 | 21.1 | 17.5 | 12.3 | 10.2 | 5.33 |
| 1.80V | 165 | 134 | 125 | 86.8 | 54.0 | 33.1 | 25.9 | 20.6 | 17.3 | 12.0 | 10.0 | 5.30 |
| 1.85V | 142 | 121 | 114 | 81.9 | 52.4 | 31.8 | 24.7 | 20.0 | 16.5 | 11.6 | 9.65 | 5.00 |

| Constant Power Discharge Characteristics: W/cell (20°C) | | | | | | | | | | | | |
|---|--------|---------|---------|---------|-----|------|------|------|------|------|------|------|
| F.V/Time | 5 m in | 10 m in | 15 m in | 30 m in | 1 h | 2 h | 3 h | 4 h | 5 h | 8 h | 10 h | 20 h |
| 1.60V | 475 | 340 | 297 | 189 | 113 | 67.2 | 51.8 | 41.8 | 34.6 | 24.6 | 20.5 | 10.9 |
| 1.67V | 430 | 317 | 281 | 182 | 111 | 66.5 | 51.6 | 41.2 | 33.8 | 24.4 | 20.3 | 10.8 |
| 1.70V | 388 | 291 | 268 | 176 | 109 | 66.1 | 51.3 | 41.1 | 34.4 | 24.2 | 20.2 | 10.7 |
| 1.75V | 342 | 273 | 252 | 172 | 108 | 65.5 | 50.9 | 41.0 | 34.1 | 24.1 | 20.1 | 10.6 |
| 1.80V | 306 | 251 | 237 | 165 | 104 | 64.2 | 50.4 | 40.4 | 34.0 | 23.8 | 19.9 | 10.5 |
| 1.85V | 267 | 229 | 218 | 158 | 102 | 62.2 | 48.4 | 39.5 | 32.6 | 23.0 | 19.3 | 10.1 |

CHARACTERISTICS



FINAL VOLTAGE SETTINGS RECOMMENDED ACCORDING TO THE DISCHARGE CURRENT

| Discharge Current I (A) | $I \leq 0.08C$ | $0.08C \leq I < 0.2C$ | $0.2C \leq I < 0.6C$ | $0.6C \leq I < 1.0C$ | $I \geq 1.0C$ |
|-------------------------|-------------------|-----------------------|----------------------|----------------------|-------------------|
| Final of Voltage | $\geq 1.85V_{pc}$ | $\geq 1.80V_{pc}$ | $\geq 1.75V_{pc}$ | $\geq 1.70V_{pc}$ | $\geq 1.60V_{pc}$ |

HEADQUARTERS AND SUBSIDIARIES

BSB Power Company Limited (HQ)
 BSB Power Europe (France)
 BSB Power Malaysia Sdn. Bhd
 PT. BSB Indonesia
 BSB Power (Thailand) Co., Ltd
 BSB Power Company Pakistan Ltd

