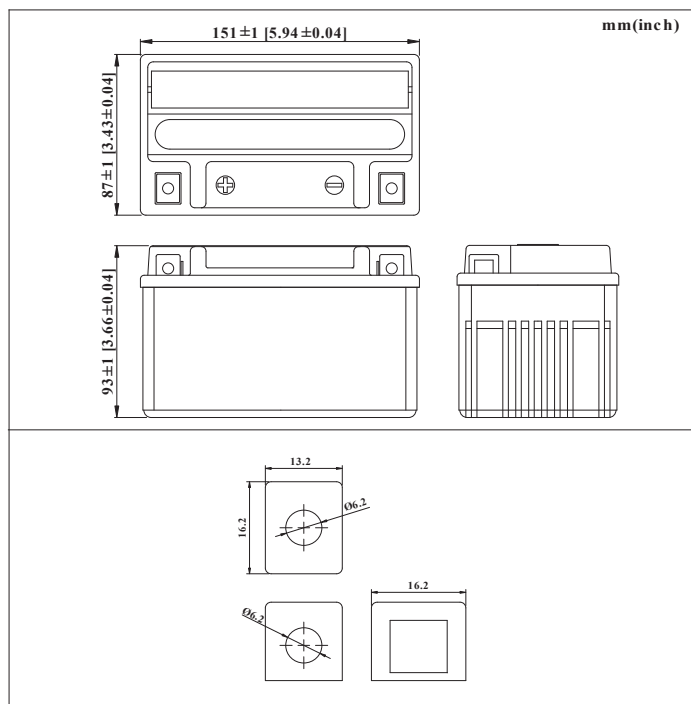


Specifications

Model NO.	YTX7A-BS	
Same Dimensions As YUASA Model	YTX7A-BS	
Nominal Voltage	12V	
Rated Capacity (10 hours rate)	6 AH	
Dimension	Length	151 mm (5.94 inches)
	Width	87 mm (3.43 inches)
	Height	93 mm (3.66 inches)
	Total Height	93 mm (3.66 inches)
Approx. Weight W/O. ACID	1.69kg (4.23Lbs)	
Approx. ACID Per Battery	0.372 L	
Charge Current (A)	0.6A	



Dimensions



Characteristics

Capacity 25°C (77°F)	10hours rate (0.6 A to 10.5V)	6.0 Ah
	5hours rate (1.2 A to 10.2V)	5.1 Ah
	1C (6.0 A to 9.6V)	2.7 Ah
	3C (18.0 A to 9.6V)	2.16 Ah
Cold Cranking Amperes(-18°C SAE Standard)	85 A	
Cold Cranking Amperes(-18°C EN Standard)	125 A	
Internal Resistance (at 1KHz)	Approx.9.0mΩ	
Operating Temperature Range	Charge	0°C (32°F) to 40°C (104°F)
	Discharge	-15°C (5°F) to 50°C (122°F)
	Storage	-15°C (5°F) to 40°C (104°F)
Life Expectancy (Cycle Use)	100% depth of discharge 200 cycles	
	80% depth of discharge 225 cycles	
	50% depth of discharge 500 cycles	
Charge Retention (shelf life) at 20°C (68°F)	1 month	92%
	3 month	90%
	6 month	80%
Standby Use	3~5 years	
Case Material	PP	

(V) FOR 12V BATTERY

Dis charge Time VS. Dis charge Current(25 °C)

