

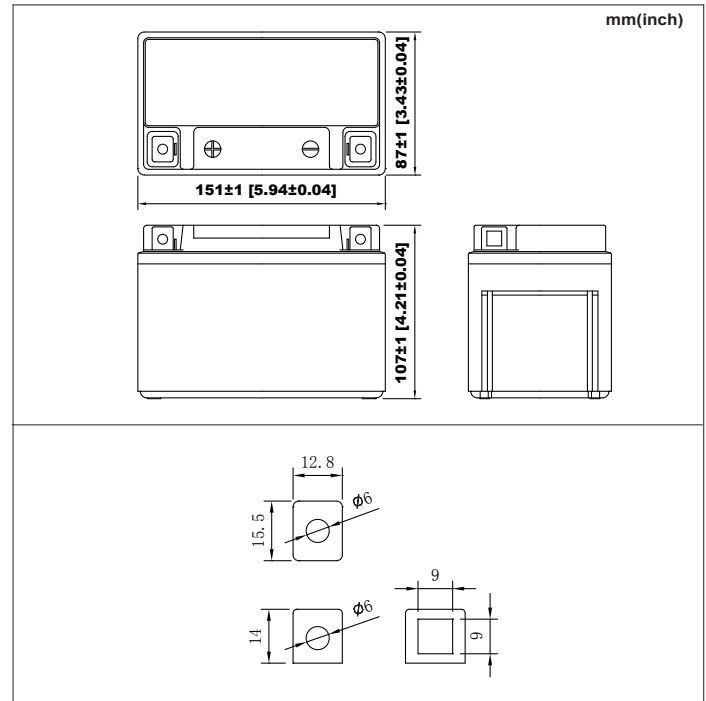
YS12-9-BS

Specifications

Model NO .	YS12-9-BS	
Same Dimensions As YUASA Model	YTX-9-BS	
Nominal Voltage	12V	
Rated Capacity (10 hours rate)	8 AH	
Dimension	Length	151 mm (5.94 inches)
	Width	87 mm (3.43 inches)
	Height	107 mm (4.21 inches)
	Total Height	107 mm (4.21 inches)
Approx. Weight	Approx. 2.89kg (6.92Lbs)	
Charge Current (A)	0.8A	



Dimensions



Characteristics

Capacity 25°C (77°F)	10hours rate (0.8 A to 10.5V)	8.0 Ah
	5hours rate (1.6 A to 10.2V)	6.8 Ah
	1C (8.0A to 9.6V)	3.6 Ah
	3C (24.0A to 9.6V)	2.88 Ah
Cold Cranking Amperes(-18°C SAE Standard)		90 A
Cold Cranking Amperes(-18°C EN Standard)		135 A
Internal Resistance (at 1KHz)		Approx.7.5mΩ
Operating Temperature Range	Charge	0°C (32°F) to 40°C (104°F)
	Discharge	-15°C (5°F) to 50°C (122°F)
	Storage	-15°C (5°F) to 40°C (104°F)
Life Expectancy (Cycle Use)	100% depth of discharge 200 cycles	
	80% depth of discharge 225 cycles	
	50% depth of discharge 500 cycles	
Charge Retention (shelf life) at 20°C (68°F)	1 month	92%
	3 month	90%
	6 month	80%
Standby Use	3~5 years	
Case Material	ABS	

 (V)
FOR 12V BATTERY

Discharge Time VS. Discharge Current(25 °C)

