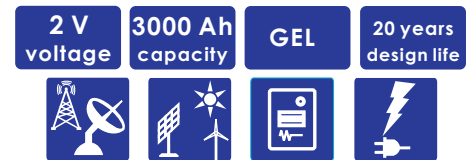


2V LSG SERIES VRLA BATTERY

By combining the newly developed nano gel electrolyte with up-to-date AGM structures, BSB created the innovative LSG range of batteries. It is very suitable for cyclic use under extreme operating conditions. The range offers 20 years design life with high reliability and stable performance. It is highly suited to telecom outdoor application, renewable energy system and other harsh environment applications.



SPECIFICATIONS

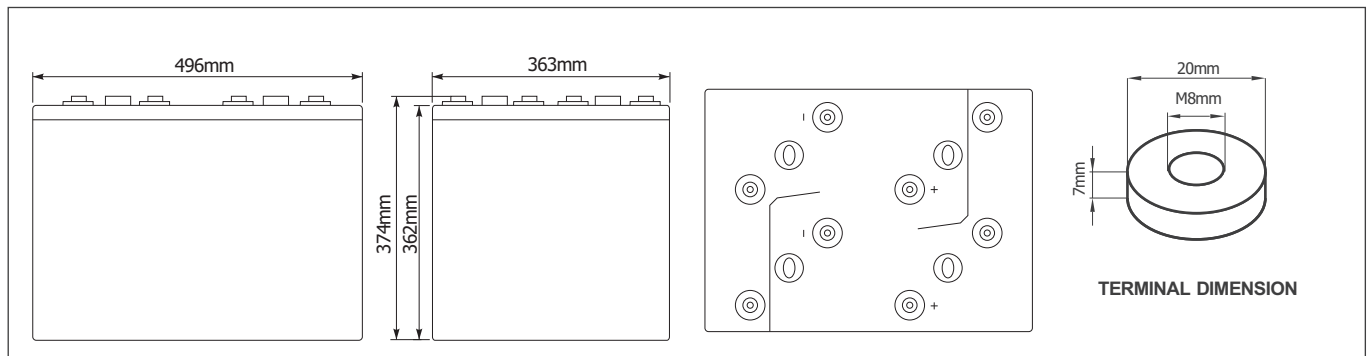
Nominal Voltage (V)	2
Designed Floating Life (20°C)	20 Years
Nominal Capacity (20°C)	3000 Ah @ C ₁₀ (to 1.80Vpc)
Dimensions	L496mm × W363mm × H374mm
Approx. Weight	176 kg (388 lbs)
Terminal Type	Female Copper Insert M8 (torque:10~12N.m)
Internal Resistance	Approx. 0.1mOhm (fully charged @ 20°C)
Max. Charge Current	600 A
Max. Discharge Current (5S)	8000 A
Short Circuit Current	16000 A
Self Discharge	Approx. 3% per month @ 20°C
Ambient Temperature	Discharge: -40~60°C Charge: -25~60°C Storage: -25~45°C
Float Charge Voltage (20~25°C)	2.25-2.29V (-3mV / °C/ cell)
Equalize Charge Voltage (20~25°C)	2.35-2.40V (-5mV / °C/ cell)
Container Material	ABS(UL94-V0 optional)



Complied standards

- IEC 60896-21/22
- IEC61427
- YD/T1360
- Eurobat guide, long life
- BS6290 part 4
- UL1989

DIMENSIONS

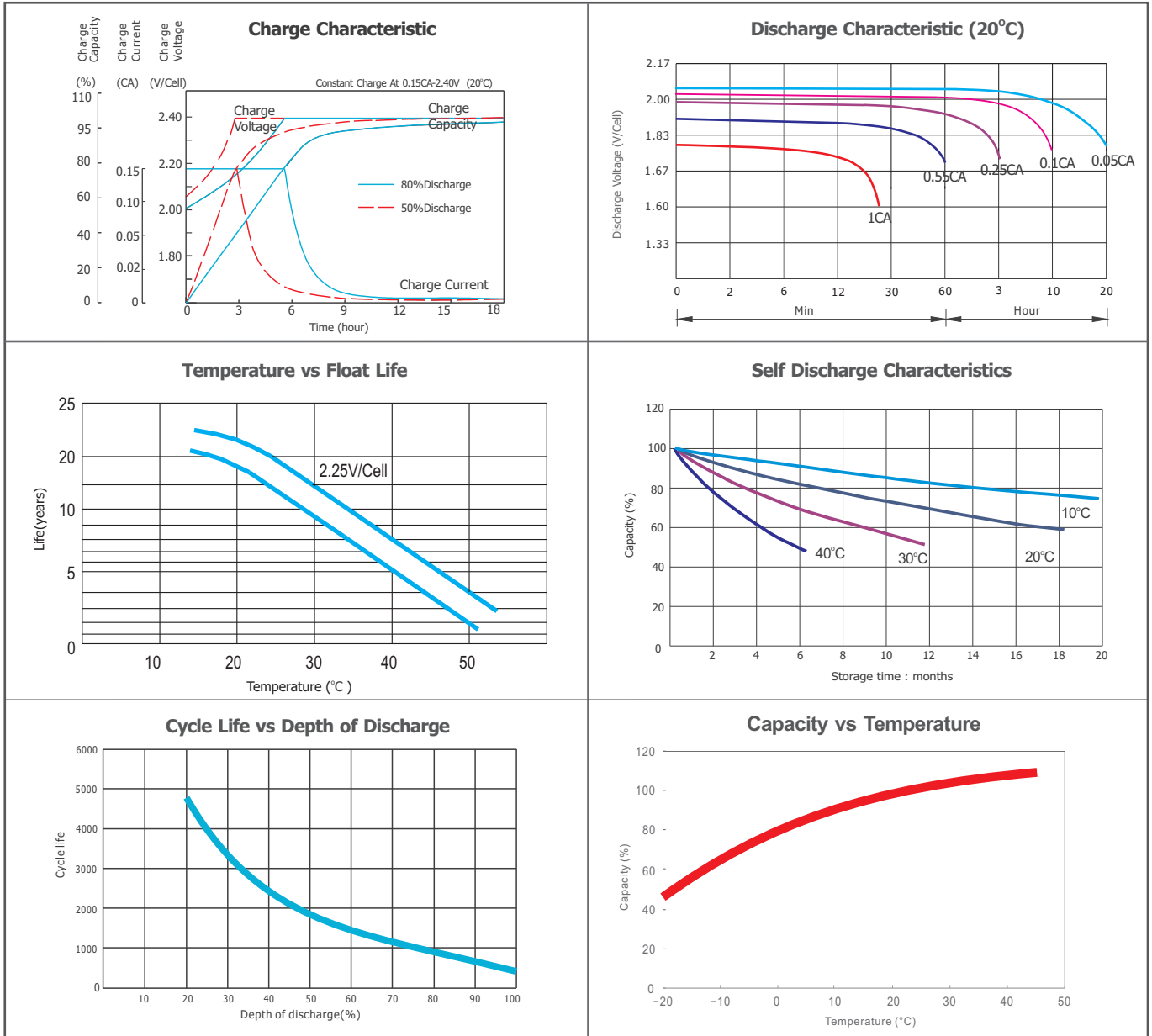


BATTERY DISCHARGE TABLE

Constant Current Discharge Characteristics: Amps (20°C)												
F.V/Time	5min	10min	15min	30min	45min	1h	2h	3h	4h	5h	8h	10h
1.60V	4463	3780	3570	2730	2388	1920	1158	846	683	575	395	325
1.65V	3938	3471	3360	2520	2286	1830	1128	828	668	564	390	320
1.70V	3780	3274	3203	2310	2142	1728	1086	804	654	556	383	316
1.75V	3602	3107	3035	2153	2046	1662	1050	780	636	541	379	308
1.80V	3465	2947	2861	2048	1902	1554	1002	756	612	528	368	300
1.85V	3066	2610	2536	1853	1722	1404	906	714	585	504	356	291

Constant Power Discharge Characteristics: W/cell (20°C)												
F.V/Time	5min	10min	15min	30min	45min	1h	2h	3h	4h	5h	8h	10h
1.60V	7497	6426	6112	4723	4179	3379	2074	1531	1249	1063	750	618
1.65V	6773	6021	5870	4435	4069	3277	2052	1520	1238	1055	741	612
1.70V	6653	5782	5685	4144	3877	3136	1998	1494	1226	1051	736	606
1.75V	6411	5564	5462	3915	3744	3056	1955	1465	1205	1033	734	601
1.80V	6272	5361	5233	3778	3528	2898	1892	1442	1175	1021	720	591
1.85V	5703	4876	4757	3503	3272	2680	1743	1385	1143	991	708	581

CHARACTERISTICS



FINAL VOLTAGE SETTINGS RECOMMENDED ACCORDING TO THE DISCHARGE CURRENT

Discharge Current I (A)	$I < 0.05C$	$0.05C \leq I < 0.08C$	$0.08C \leq I < 0.2C$	$0.2C \leq I < 0.6C$	$0.6C \leq I < 1.0C$	$1C \leq I \leq 2C$
Final of Voltage	≥ 1.90 Vpc	≥ 1.85 Vpc	≥ 1.80 Vpc	≥ 1.75 Vpc	≥ 1.7 Vpc	≥ 1.6 Vpc

HEADQUARTERS AND SUBSIDIARIES

- BSB Power Company Limited (HQ)
- BSB Power Europe (France)
- BSB Power Malaysia Sdn. Bhd
- PT. BSB Indonesia
- BSB Power (Thailand) Co., Ltd
- BSB Power Company Pakistan Ltd



Country of origin: China