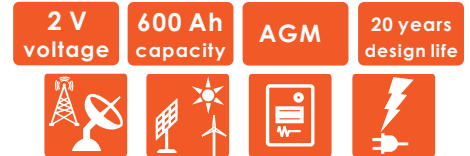


2V LSE SERIES VRLA BATTERY

The LSE series has a 20 years design life in float service. With heavy duty grids, thicker plates, special additives and updated AGM Valve Regulated technology, the LSE series battery provides consistent performance and long service life.

This series is highly suited for telecommunications, UPS systems, renewable energy systems, power stations and similar applications.



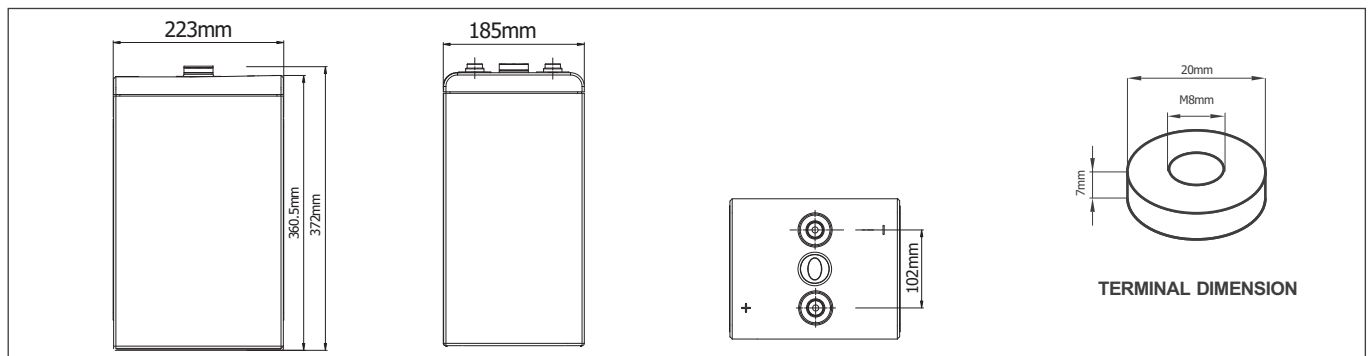
Complied standards

- IEC 60896-21/22
- IEC61427
- YD/T1360
- Eurobat guide, long life
- BS6290 part 4
- UL1989

SPECIFICATIONS

Nominal Voltage (V)	2
Designed Floating Life (20°C)	20 Years
Nominal Capacity (20°C)	600 Ah @ C ₁₀ (to 1.80Vpc)
Dimensions	L223mm × W185mm × H372mm
Approx. Weight	35.5 kg (78.3 lbs)
Terminal Type	Female Copper Insert M8 (torque:10~12N.m)
Internal Resistance	Approx. 0.28mOhm (fully charged @ 20°C)
Max. Charge Current	150 A
Max. Discharge Current (5S)	2000 A
Short Circuit Current	7000 A
Self Discharge	Approx. 3% per month @ 20°C
Ambient Temperature	Discharge: -25~60°C Charge: -25~60°C Storage: -25~45°C
Float Charge Voltage (20~25°C)	2.25-2.29V (-3mV / °C/ cell)
Equalize Charge Voltage (20~25°C)	2.35-2.40V (-5mV / °C/ cell)
Container Material	ABS(UL94-V0 optional)

DIMENSIONS

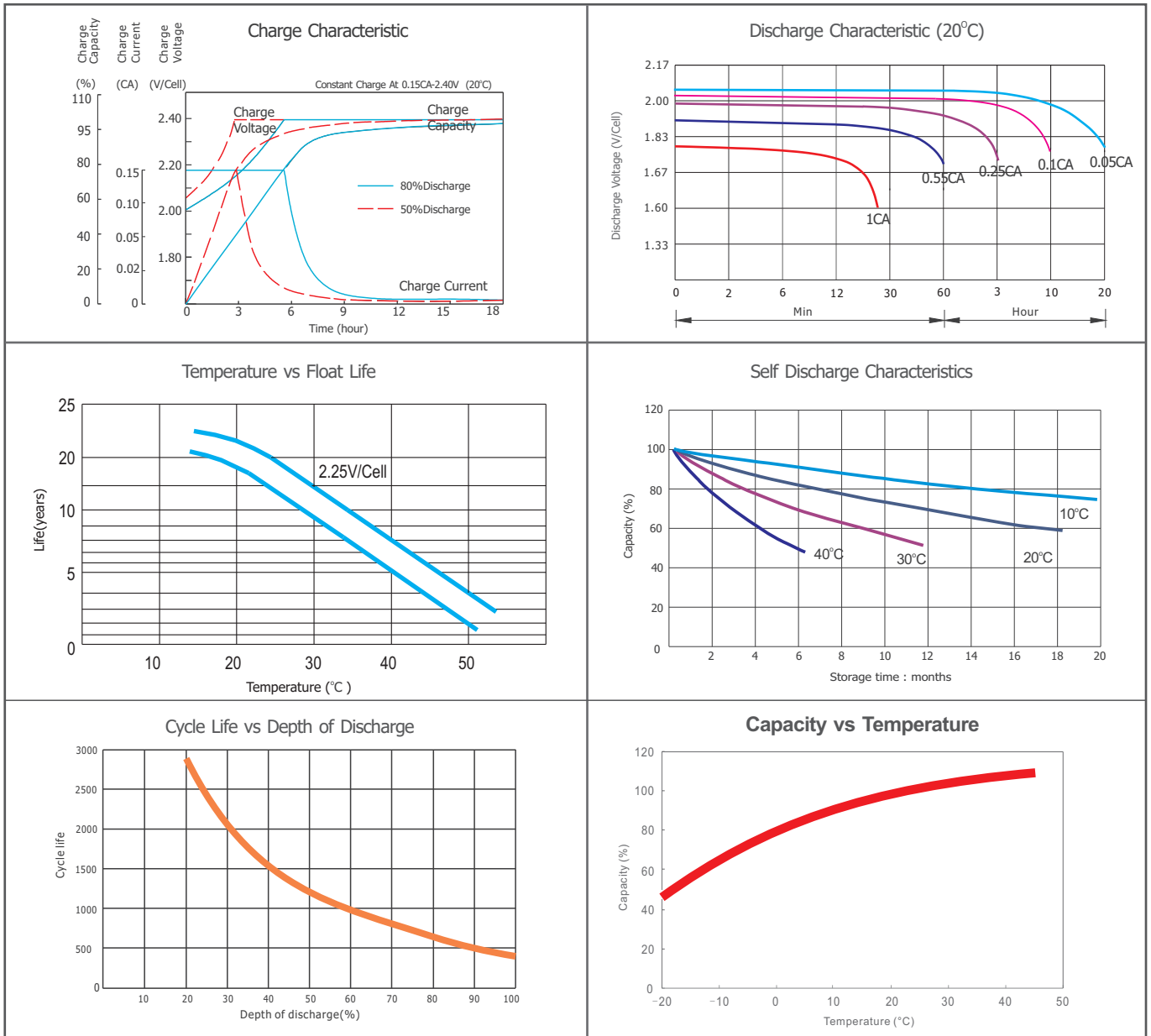


BATTERY DISCHARGE TABLE

Constant Current Discharge Characteristics: Amps (20°C)												
F.V/Time	5min	10min	15min	30min	45min	1h	2h	3h	4h	5h	8h	10h
1.60V	901	764	721	551	478	384	232	169	137	115	79.1	65.0
1.65V	795	701	679	509	457	366	226	166	134	113	78.0	64.1
1.70V	764	661	647	467	428	346	217	161	131	111	76.7	63.1
1.75V	728	628	613	435	409	332	210	156	127	108	75.7	61.7
1.80V	700	595	578	414	380	311	200	151	122	106	73.5	60.0
1.85V	619	527	512	374	344	281	181	143	117	101	71.3	58.2

Constant Power Discharge Characteristics: W/cell (20°C)												
F.V/Time	5min	10min	15min	30min	45min	1h	2h	3h	4h	5h	8h	10h
1.60V	1514	1298	1235	954	836	676	415	306	250	213	150	124
1.65V	1368	1216	1186	896	814	655	410	304	248	211	148	122
1.70V	1344	1168	1148	837	775	627	400	299	245	210	147	121
1.75V	1295	1124	1103	791	749	611	391	293	241	207	145	120
1.80V	1267	1083	1057	763	706	580	378	288	235	204	144	118
1.85V	1152	985	961	708	654	536	349	277	229	198	142	116

CHARACTERISTICS



FINAL VOLTAGE SETTINGS RECOMMENDED ACCORDING TO THE DISCHARGE CURRENT

Discharge Current I (A)	$I < 0.05C$	$0.05C \leq I < 0.08C$	$0.08C \leq I < 0.2C$	$0.2C \leq I < 0.6C$	$0.6C \leq I < 1.0C$	$1C \leq I \leq 2C$
Final of Voltage	≥ 1.90 Vpc	≥ 1.85 Vpc	≥ 1.80 Vpc	≥ 1.75 Vpc	≥ 1.7 Vpc	≥ 1.6 Vpc

HEADQUARTERS AND SUBSIDIARIES

- BSB Power Company Limited (HQ)
- BSB Power Europe (France)
- BSB Power Malaysia Sdn. Bhd
- PT. BSB Indonesia
- BSB Power (Thailand) Co., Ltd
- BSB Power Company Pakistan Ltd

