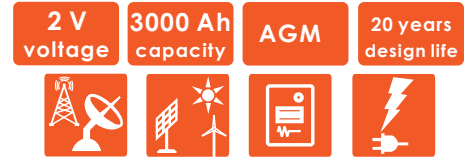


2V LSE SERIES VRLA BATTERY

The LSE series has a 20 years design life in float service. With heavy duty grids, thicker plates, special additives and updated AGM Valve Regulated technology, the LSE series battery provides consistent performance and long service life.

This series is highly suited for telecommunications, UPS systems, renewable energy systems, power stations and similar applications.



SPECIFICATIONS

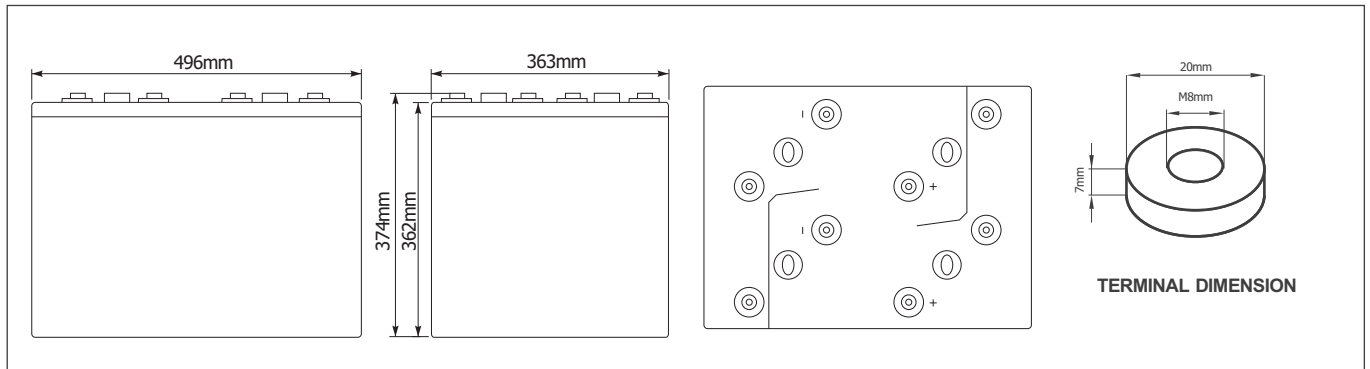
Nominal Voltage (V)	2
Designed Floating Life (20°C)	20 Years
Nominal Capacity (20°C)	3000 Ah @ C10 (to 1.80Vpc)
Dimensions	L496mm × W363mm × H374mm
Approx. Weight	175 kg (386 lbs)
Terminal Type	Female Copper Insert M8 (torque:10~12N.m)
Internal Resistance	Approx. 0.1mOhm (fully charged @ 20°C)
Max. Charge Current	600 A
Max. Discharge Current (5S)	8000 A
Short Circuit Current	16000 A
Self Discharge	Approx. 3% per month @ 20°C
Ambient Temperature	Discharge: -25~60°C Charge: -25~60°C Storage: -25~45°C
Float Charge Voltage (20~25°C)	2.25-2.29V (-3mV / °C/ cell)
Equalize Charge Voltage (20~25°C)	2.35-2.40V (-5mV / °C/ cell)
Container Material	ABS(UL94-V0 optional)



Complied standards

- IEC 60896-21/22
- IEC61427
- YD/T1360
- Eurobat guide, long life
- BS6290 part 4
- UL1989

DIMENSIONS

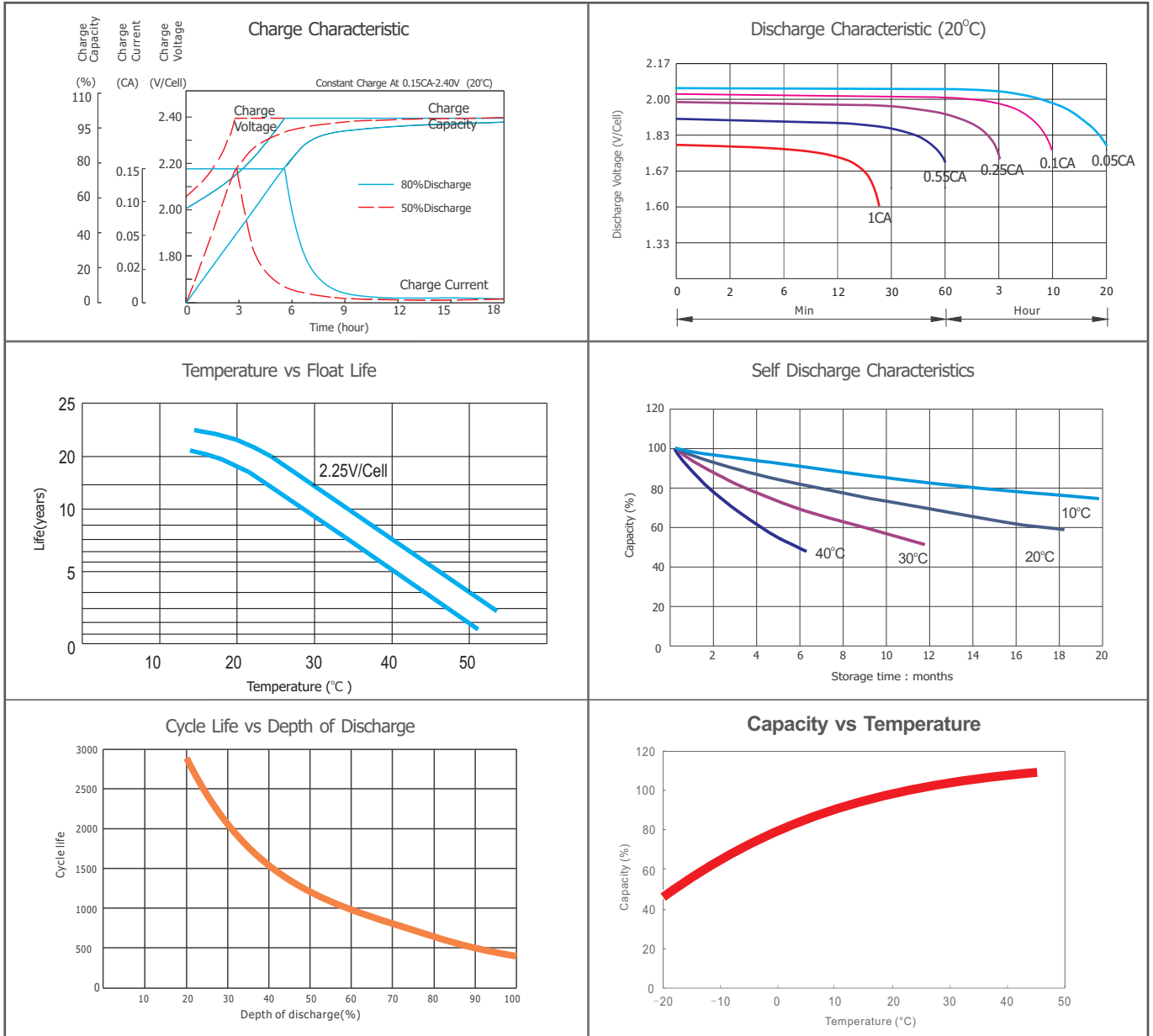


BATTERY DISCHARGE TABLE

Constant Current Discharge Characteristics: Amps (20°C)												
F.V/Time	5min	10min	15min	30min	45min	1h	2h	3h	4h	5h	8h	10h
1.60V	4507	3818	3606	2757	2388	1920	1158	846	683	575	395	325
1.65V	3977	3505	3394	2545	2286	1830	1128	828	668	564	390	320
1.70V	3818	3307	3235	2333	2142	1728	1086	804	654	556	383	316
1.75V	3638	3138	3065	2174	2046	1662	1050	780	636	541	379	308
1.80V	3500	2976	2890	2068	1902	1554	1002	756	612	528	368	300
1.85V	3097	2637	2561	1872	1722	1404	906	714	585	504	356	291

Constant Power Discharge Characteristics: W/cell (20°C)												
F.V/Time	5min	10min	15min	30min	45min	1h	2h	3h	4h	5h	8h	10h
1.60V	7572	6491	6173	4770	4179	3379	2074	1531	1249	1063	750	618
1.65V	6840	6081	5929	4480	4069	3277	2052	1520	1238	1055	741	612
1.70V	6719	5840	5742	4186	3877	3136	1998	1494	1226	1051	736	606
1.75V	6475	5619	5517	3954	3744	3056	1955	1465	1205	1033	734	601
1.80V	6334	5415	5285	3815	3528	2898	1892	1442	1175	1021	720	591
1.85V	5760	4925	4805	3538	3272	2680	1743	1385	1143	991	708	581

CHARACTERISTICS



FINAL VOLTAGE SETTINGS RECOMMENDED ACCORDING TO THE DISCHARGE CURRENT

Discharge Current I (A)	$I < 0.05C$	$0.05C \leq I < 0.08C$	$0.08C \leq I < 0.2C$	$0.2C \leq I < 0.6C$	$0.6C \leq I < 1.0C$	$1C \leq I \leq 2C$
Final of Voltage	≥ 1.90 Vpc	≥ 1.85 Vpc	≥ 1.80 Vpc	≥ 1.75 Vpc	≥ 1.7 Vpc	≥ 1.6 Vpc

HEADQUARTERS AND SUBSIDIARIES

- BSB Power Company Limited (HQ)
- BSB Power Europe (France)
- BSB Power Malaysia Sdn. Bhd
- PT. BSB Indonesia
- BSB Power (Thailand) Co., Ltd
- BSB Power Company Pakistan Ltd

