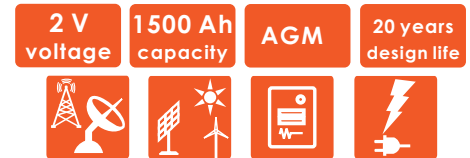


## 2V LSE SERIES VRLA BATTERY

The LSE series has a 20 years design life in float service. With heavy duty grids, thicker plates, special additives and updated AGM Valve Regulated technology, the LSE series battery provides consistent performance and long service life.

This series is highly suited for telecommunications, UPS systems, renewable energy systems, power stations and similar applications.



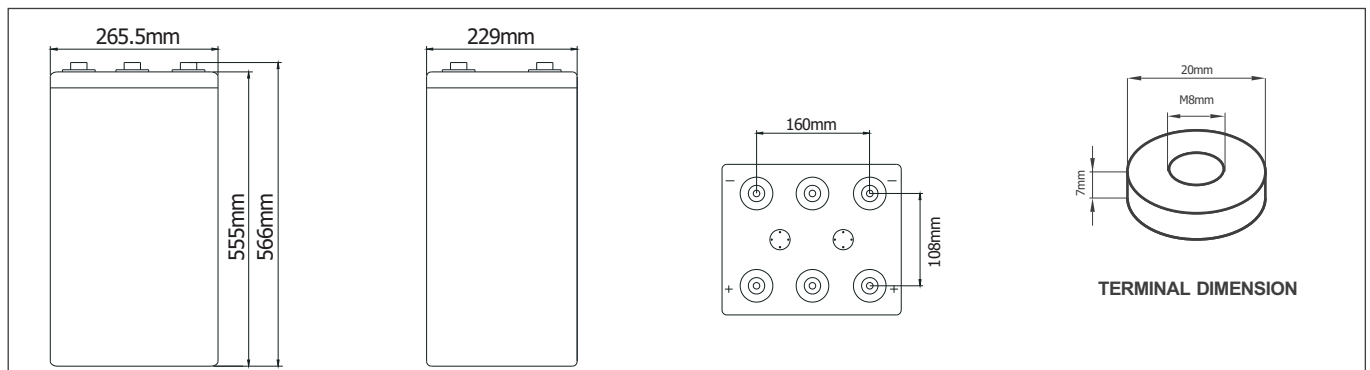
### Complied standards

- IEC 60896-21/22
- IEC61427
- YD/T1360
- Eurobat guide, long life
- BS6290 part 4
- UL1989

### SPECIFICATIONS

Nominal Voltage (V)	2
Designed Floating Life (20°C)	20 Years
Nominal Capacity (20°C)	1500 Ah @ C10 (to 1.80Vpc)
Dimensions	L265.5mm × W229mm × H566mm
Approx. Weight	92.0 kg (203 lbs)
Terminal Type	Female Copper Insert M8 (torque:10~12N.m)
Internal Resistance	Approx. 0.14mOhm (fully charged @ 20°C)
Max. Charge Current	375 A
Max. Discharge Current (5S)	6000 A
Short Circuit Current	14000 A
Self Discharge	Approx. 3% per month @ 20°C
Ambient Temperature	Discharge: -25~60°C Charge: -25~60°C Storage: -25~45°C
Float Charge Voltage (20~25°C)	2.25-2.29V (-3mV / °C/ cell)
Equalize Charge Voltage (20~25°C)	2.35-2.40V (-5mV / °C/ cell)
Container Material	ABS(UL94-V0 optional)

### DIMENSIONS

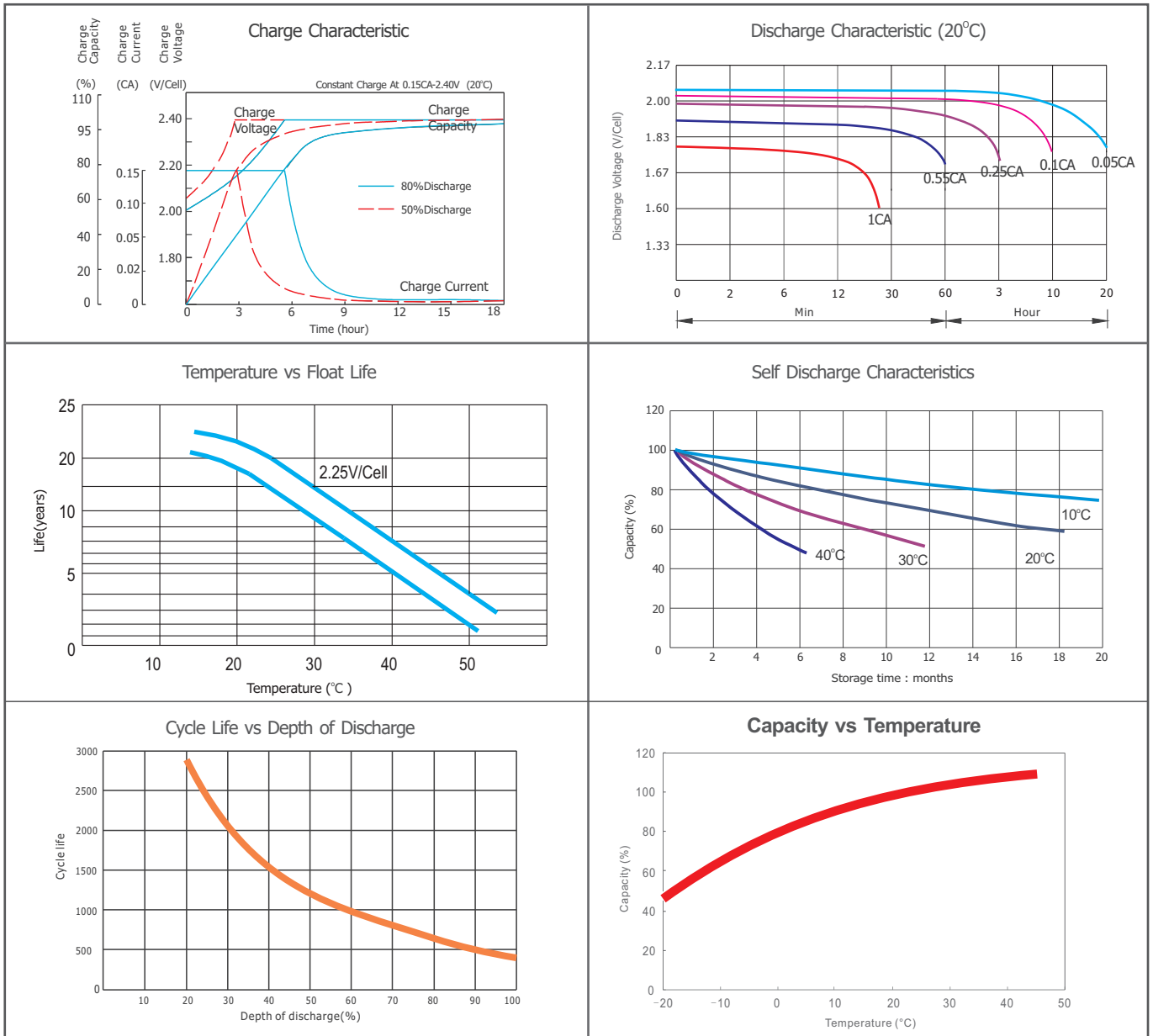


### BATTERY DISCHARGE TABLE

Constant Current Discharge Characteristics: Amps (20°C)												
F.V/Time	5min	10min	15min	30min	45min	1h	2h	3h	4h	5h	8h	10h
1.60V	2576	2182	2060	1576	1194	960	579	423	341	287	198	163
1.65V	2273	2003	1939	1454	1143	915	564	414	334	282	195	160
1.70V	2182	1890	1848	1333	1071	864	543	402	327	278	192	158
1.75V	2079	1793	1751	1242	1023	831	525	390	318	270	189	154
1.80V	2000	1701	1651	1182	951	777	501	378	306	264	184	150
1.85V	1770	1507	1463	1070	861	702	453	357	293	252	178	146

Constant Power Discharge Characteristics: W/cell (20°C)												
F.V/Time	5min	10min	15min	30min	45min	1h	2h	3h	4h	5h	8h	10h
1.60V	4327	3709	3527	2726	2090	1690	1037	765	624	532	375	309
1.65V	3909	3475	3388	2560	2035	1638	1026	760	619	527	371	306
1.70V	3840	3337	3281	2392	1939	1568	999	747	613	526	368	303
1.75V	3700	3211	3152	2259	1872	1528	978	732	603	516	367	301
1.80V	3620	3094	3020	2180	1764	1449	946	721	588	511	360	296
1.85V	3291	2814	2746	2022	1636	1340	872	693	572	495	354	290

## CHARACTERISTICS



## FINAL VOLTAGE SETTINGS RECOMMENDED ACCORDING TO THE DISCHARGE CURRENT

Discharge Current I (A)	$I < 0.05C$	$0.05C \leq I < 0.08C$	$0.08C \leq I < 0.2C$	$0.2C \leq I < 0.6C$	$0.6C \leq I < 1.0C$	$1C \leq I \leq 2C$
Final of Voltage	$\geq 1.90$ Vpc	$\geq 1.85$ Vpc	$\geq 1.80$ Vpc	$\geq 1.75$ Vpc	$\geq 1.7$ Vpc	$\geq 1.6$ Vpc

## HEADQUARTERS AND SUBSIDIARIES

BSB Power Company Limited (HQ)  
 BSB Power Europe (France)  
 BSB Power Malaysia Sdn. Bhd  
 PT. BSB Indonesia  
 BSB Power (Thailand) Co., Ltd  
 BSB Power Company Pakistan Ltd

