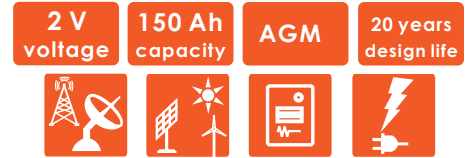


## 2V LSE SERIES VRLA BATTERY

The LSE series has a 20 years design life in float service. With heavy duty grids, thicker plates, special additives and updated AGM Valve Regulated technology, the LSE series battery provides consistent performance and long service life.

This series is highly suited for telecommunications, UPS systems, renewable energy systems, power stations and similar applications.



### SPECIFICATIONS

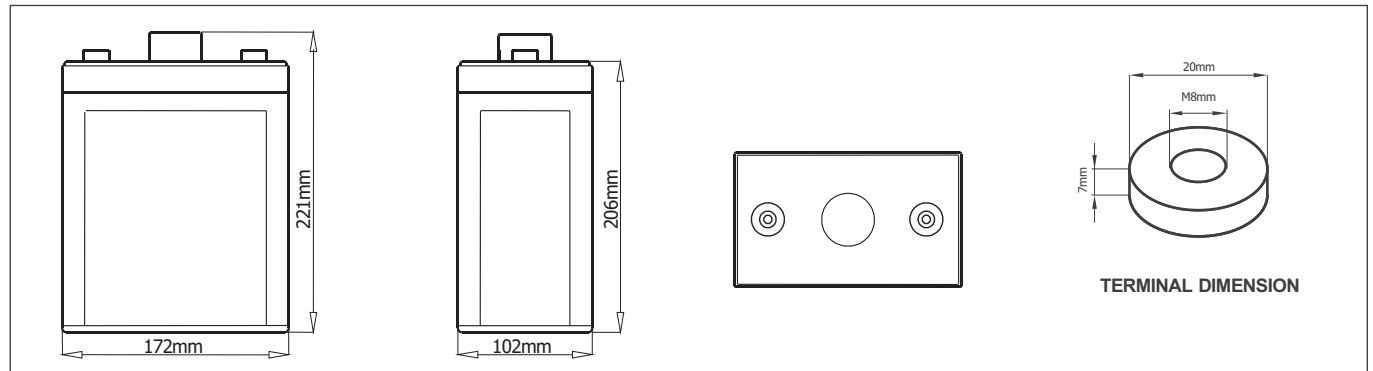
Nominal Voltage (V)	2
Designed Floating Life (20°C)	20 Years
Nominal Capacity (20°C)	150 Ah @ C10 (to 1.80Vpc)
Dimensions	L172mm × W102mm × H221mm
Approx. Weight	8.5 kg (18.7 lbs)
Terminal Type	Female Copper Insert M8 (torque:10~12N.m)
Internal Resistance	Approx. 0.82mOhm (fully charged @ 20°C)
Max. Charge Current	37.5 A
Max. Discharge Current (5S)	1050 A
Short Circuit Current	2400 A
Self Discharge	Approx. 3% per month @ 20°C
Ambient Temperature	Discharge: -25~60°C Charge: -25~60°C Storage: -25~45°C
Float Charge Voltage (20~25°C)	2.25-2.29V (-3mV / °C/ cell)
Equalize Charge Voltage (20~25°C)	2.35-2.40V (-5mV / °C/ cell)
Container Material	ABS(UL94-V0 optional)



### Complied standards

- IEC 60896-21/22
- IEC61427
- YD/T1360
- Eurobat guide, long life
- BS6290 part 4
- UL1989

### DIMENSIONS

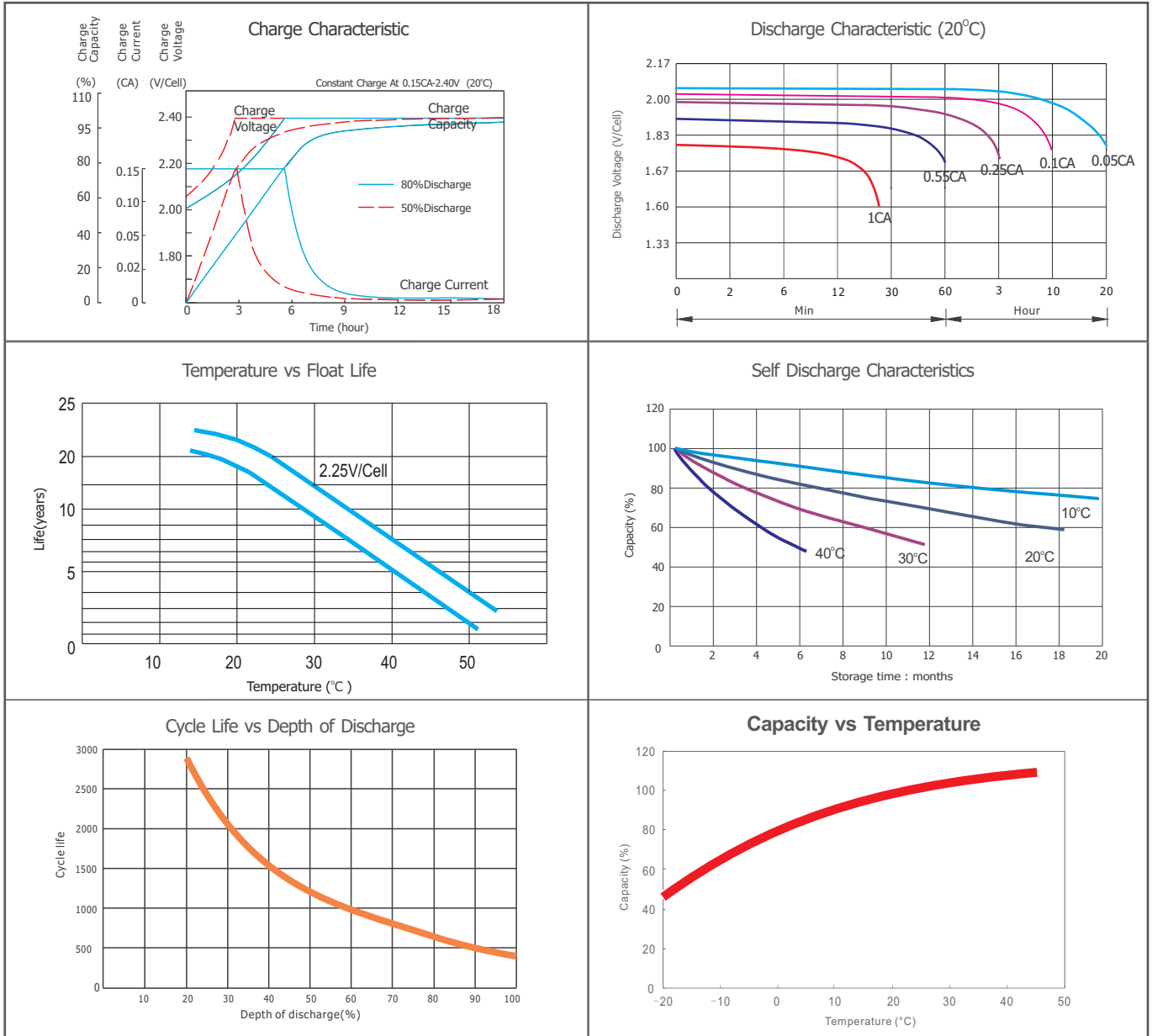


### BATTERY DISCHARGE TABLE

Constant Current Discharge Characteristics: Amps (20°C)												
F.V/Time	5min	10min	15min	30min	45min	1h	2h	3h	4h	5h	8h	10h
1.60V	283	240	227	173	119	96.0	57.9	42.3	34.1	28.7	19.8	16.3
1.65V	250	220	213	160	114	91.5	56.4	41.4	33.4	28.2	19.5	16.0
1.70V	240	208	203	147	107	86.4	54.3	40.2	32.7	27.8	19.2	15.8
1.75V	229	197	193	137	102	83.1	52.5	39.0	31.8	27.0	18.9	15.4
1.80V	220	187	182	130	95.1	77.7	50.1	37.8	30.6	26.4	18.4	15.0
1.85V	195	166	161	118	86.1	70.2	45.3	35.7	29.3	25.2	17.8	14.6

Constant Power Discharge Characteristics: W/cell (20°C)												
F.V/Time	5min	10min	15min	30min	45min	1h	2h	3h	4h	5h	8h	10h
1.60V	476	408	388	300	209	169	104	76.5	62.4	53.2	37.5	30.9
1.65V	430	382	373	282	203	164	103	76.0	61.9	52.7	37.1	30.6
1.70V	422	367	361	263	194	157	100	74.7	61.3	52.6	36.8	30.3
1.75V	407	353	347	249	187	153	97.8	73.2	60.3	51.6	36.7	30.1
1.80V	398	340	332	240	176	145	94.6	72.1	58.8	51.1	36.0	29.6
1.85V	362	310	302	222	164	134	87.2	69.3	57.2	49.5	35.4	29.0

**CHARACTERISTICS**



**FINAL VOLTAGE SETTINGS RECOMMENDED ACCORDING TO THE DISCHARGE CURRENT**

Discharge Current I (A)	$I < 0.05C$	$0.05C \leq I < 0.08C$	$0.08C \leq I < 0.2C$	$0.2C \leq I < 0.6C$	$0.6C \leq I < 1.0C$	$1C \leq I \leq 2C$
Final of Voltage	$\geq 1.90$ Vpc	$\geq 1.85$ Vpc	$\geq 1.80$ Vpc	$\geq 1.75$ Vpc	$\geq 1.7$ Vpc	$\geq 1.6$ Vpc

**HEADQUARTERS AND SUBSIDIARIES**

- BSB Power Company Limited (HQ)
- BSB Power Europe (France)
- BSB Power Malaysia Sdn. Bhd
- PT. BSB Indonesia
- BSB Power (Thailand) Co., Ltd
- BSB Power Company Pakistan Ltd

