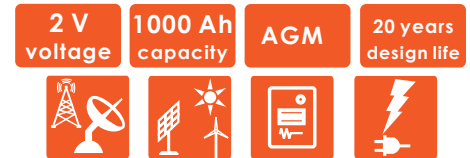


2V LSE SERIES VRLA BATTERY

The LSE series has a 20 years design life in float service. With heavy duty grids, thicker plates, special additives and updated AGM Valve Regulated technology, the LSE series battery provides consistent performance and long service life.

This series is highly suited for telecommunications, UPS systems, renewable energy systems, power stations and similar applications.



SPECIFICATIONS

Nominal Voltage (V)	2
Designed Floating Life (20°C)	20 Years
Nominal Capacity (20°C)	1000 Ah @ C ₁₀ (to 1.80Vpc)
Dimensions	L186mm × W229mm × H566mm
Approx. Weight	62.0 kg (137 lbs)
Terminal Type	Female Copper Insert M8 (torque:10~12N.m)
Internal Resistance	Approx. 0.18mOhm (fully charged @ 20°C)
Max. Charge Current	250 A
Max. Discharge Current (5S)	4000 A
Short Circuit Current	11000 A
Self Discharge	Approx. 3% per month @ 20°C
Ambient Temperature	Discharge: -25~60°C Charge: -25~60°C Storage: -25~45°C
Float Charge Voltage (20~25°C)	2.25-2.29V (-3mV / °C/ cell)
Equalize Charge Voltage (20~25°C)	2.35-2.40V (-5mV / °C/ cell)
Container Material	ABS(UL94-V0 optional)



ISO9001



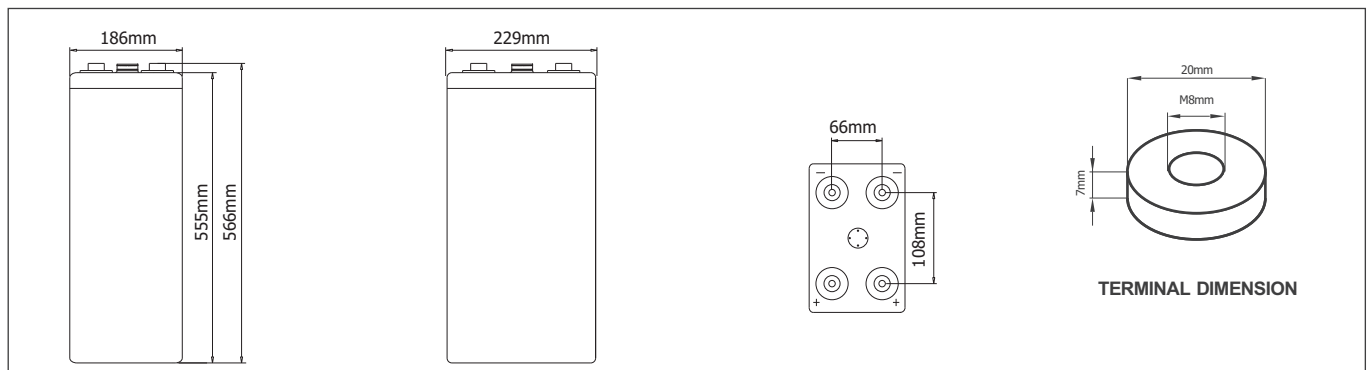
ISO14001



Complied standards

- IEC 60896-21/22
- IEC61427
- YD/T1360
- Eurobat guide, long life
- BS6290 part 4
- UL1989

DIMENSIONS

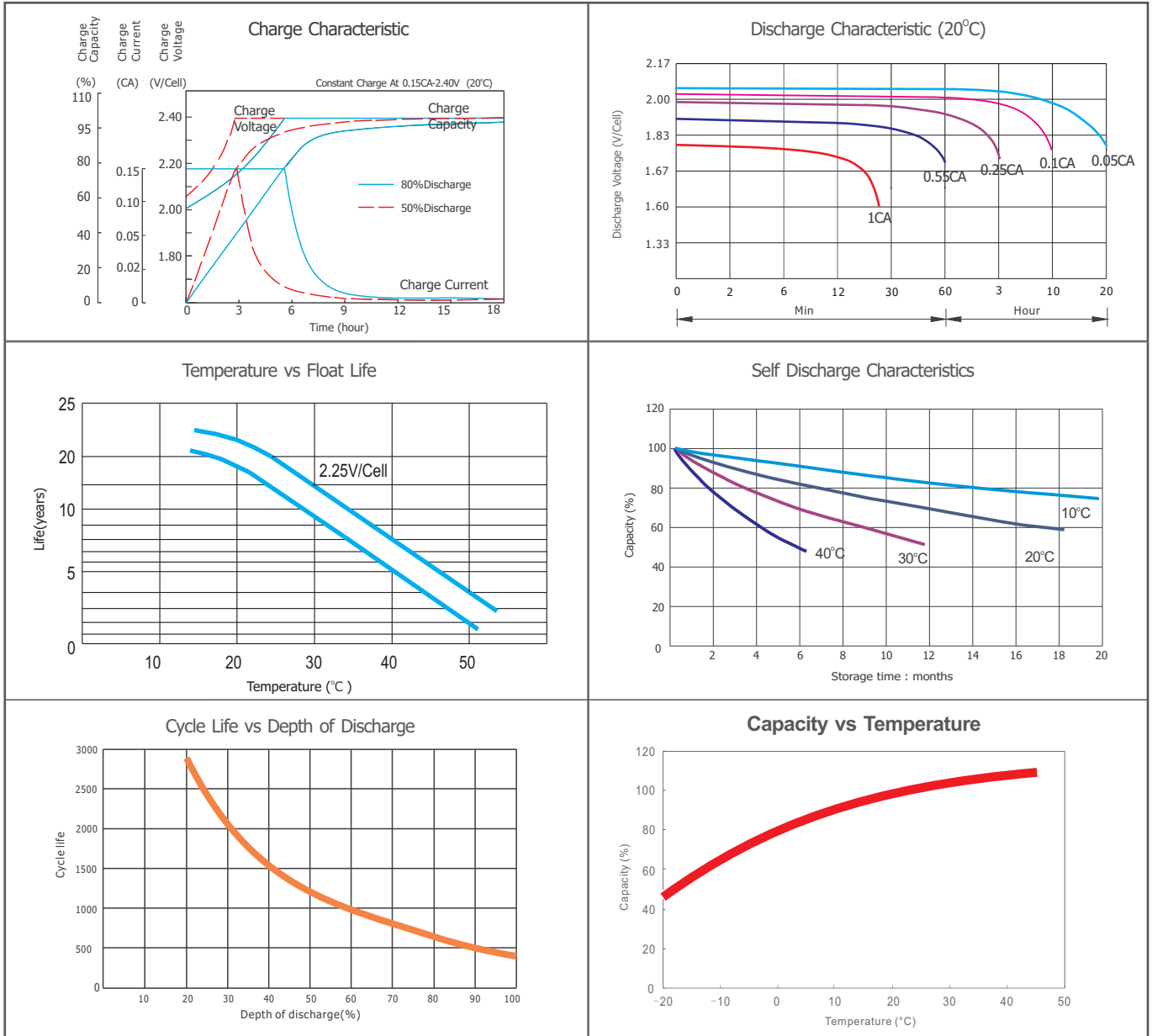


BATTERY DISCHARGE TABLE

Constant Current Discharge Characteristics: Amps (20°C)												
F.V/Time	5min	10min	15min	30min	45min	1h	2h	3h	4h	5h	8h	10h
1.60V	1717	1454	1374	1050	796	640	386	282	228	192	132	108
1.65V	1515	1335	1293	970	762	610	376	276	223	188	130	107
1.70V	1454	1260	1232	889	714	576	362	268	218	185	128	105
1.75V	1386	1196	1168	828	682	554	350	260	212	180	126	103
1.80V	1333	1134	1101	788	634	518	334	252	204	176	123	100
1.85V	1180	1004	976	713	574	468	302	238	195	168	119	97.0

Constant Power Discharge Characteristics: W/cell (20°C)												
F.V/Time	5min	10min	15min	30min	45min	1h	2h	3h	4h	5h	8h	10h
1.60V	2885	2473	2352	1817	1393	1126	691	510	416	354	250	206
1.65V	2606	2317	2259	1706	1356	1092	684	507	413	352	247	204
1.70V	2560	2225	2188	1595	1292	1045	666	498	409	350	245	202
1.75V	2467	2141	2102	1506	1248	1019	652	488	402	344	243	200
1.80V	2413	2063	2013	1453	1176	966	631	481	392	340	240	197
1.85V	2194	1876	1830	1348	1091	893	581	462	381	330	236	194

CHARACTERISTICS



FINAL VOLTAGE SETTINGS RECOMMENDED ACCORDING TO THE DISCHARGE CURRENT

Discharge Current I (A)	$I < 0.05C$	$0.05C \leq I < 0.08C$	$0.08C \leq I < 0.2C$	$0.2C \leq I < 0.6C$	$0.6C \leq I < 1.0C$	$1C \leq I \leq 2C$
Final of Voltage	≥ 1.90 Vpc	≥ 1.85 Vpc	≥ 1.80 Vpc	≥ 1.75 Vpc	≥ 1.7 Vpc	≥ 1.6 Vpc

HEADQUARTERS AND SUBSIDIARIES

- BSB Power Company Limited (HQ)
- BSB Power Europe (France)
- BSB Power Malaysia Sdn. Bhd
- PT. BSB Indonesia
- BSB Power (Thailand) Co., Ltd
- BSB Power Company Pakistan Ltd

