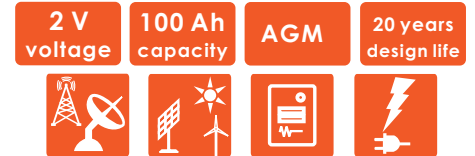


2V LSE SERIES VRLA BATTERY

The LSE series has a 20 years design life in float service. With heavy duty grids, thicker plates, special additives and updated AGM Valve Regulated technology, the LSE series battery provides consistent performance and long service life.

This series is highly suited for telecommunications, UPS systems, renewable energy systems, power stations and similar applications.



SPECIFICATIONS

Nominal Voltage (V)	2
Designed Floating Life (20°C)	20 Years
Nominal Capacity (20°C)	100 Ah @ C10 (to 1.80Vpc)
Dimensions	L171mm × W72mm × H220mm
Approx. Weight	6.0 kg (13.2 lbs)
Terminal Type	Female Copper Insert M8 (torque:10~12N.m)
Internal Resistance	Approx. 0.9mOhm (fully charged @ 20°C)
Max. Charge Current	25 A
Max. Discharge Current (5S)	800 A
Short Circuit Current	2200 A
Self Discharge	Approx. 3% per month @ 20°C
Ambient Temperature	Discharge: -25~60°C Charge: -25~60°C Storage: -25~45°C
Float Charge Voltage (20~25°C)	2.25-2.29V (-3mV / °C/ cell)
Equalize Charge Voltage (20~25°C)	2.35-2.40V (-5mV / °C/ cell)
Container Material	ABS(UL94-V0 optional)



ISO9001



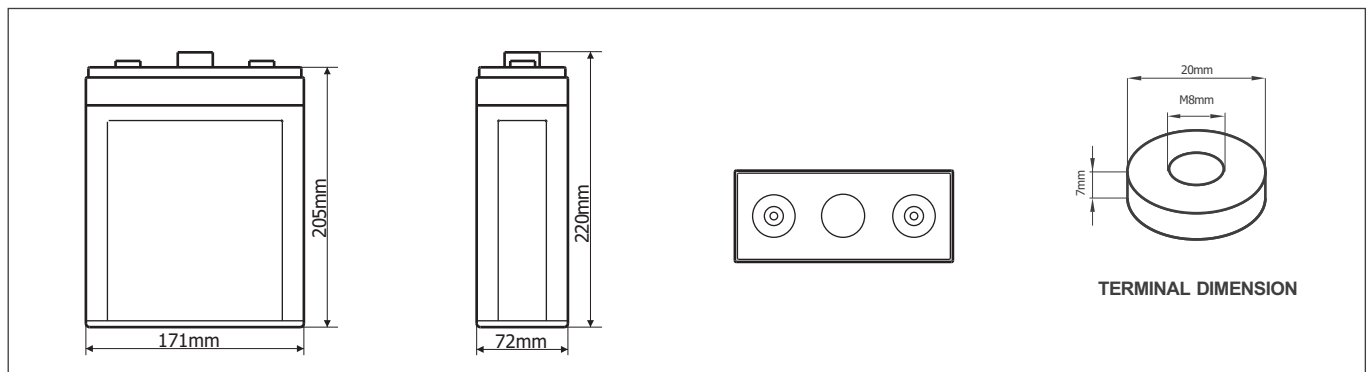
ISO14001



Complied standards

- IEC 60896-21/22
- IEC61427
- YD/T1360
- Eurobat guide, long life
- BS6290 part 4
- UL1989

DIMENSIONS

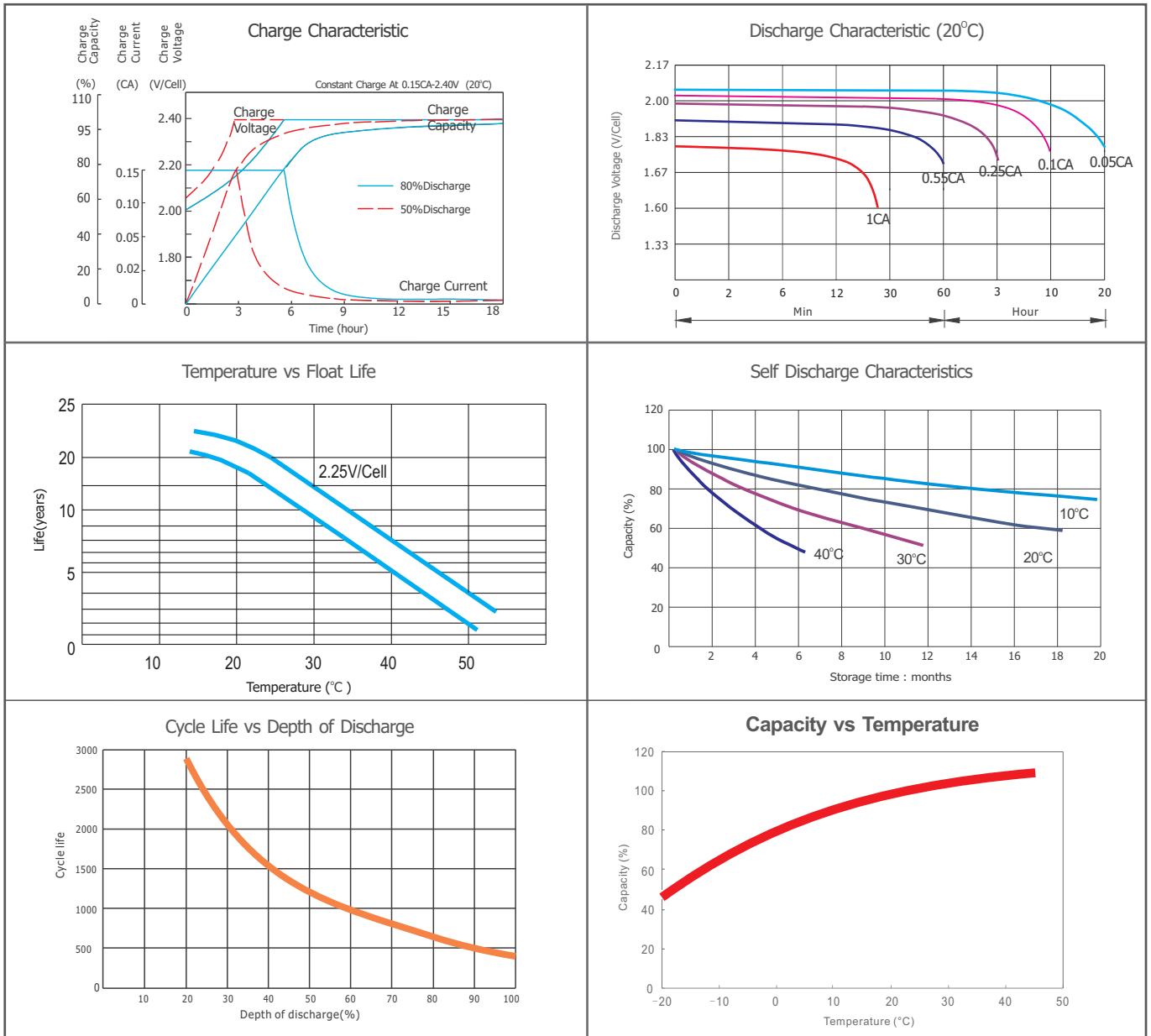


BATTERY DISCHARGE TABLE

Constant Current Discharge Characteristics: Amps (20°C)												
F.V/Time	5min	10min	15min	30min	45min	1h	2h	3h	4h	5h	8h	10h
1.60V	258	204	179	116	79.6	64.0	38.6	28.2	22.8	19.2	13.2	10.8
1.65V	227	187	168	107	76.2	61.0	37.6	27.6	22.3	18.8	13.0	10.7
1.70V	218	176	160	97.8	71.4	57.6	36.2	26.8	21.8	18.5	12.8	10.5
1.75V	208	167	152	91.1	68.2	55.4	35.0	26.0	21.2	18.0	12.6	10.3
1.80V	200	159	143	86.7	63.4	51.8	33.4	25.2	20.4	17.6	12.3	10.0
1.85V	177	141	127	78.4	57.4	46.8	30.2	23.8	19.5	16.8	11.9	9.70

Constant Power Discharge Characteristics: W/cell (20°C)												
F.V/Time	5min	10min	15min	30min	45min	1h	2h	3h	4h	5h	8h	10h
1.60V	433	346	306	200	139	113	69.1	51.0	41.6	35.4	25.0	20.6
1.65V	391	324	294	188	136	109	68.4	50.7	41.3	35.2	24.7	20.4
1.70V	384	311	284	175	129	105	66.6	49.8	40.9	35.0	24.5	20.2
1.75V	370	300	273	166	125	102	65.2	48.8	40.2	34.4	24.5	20.0
1.80V	362	289	262	160	118	96.6	63.1	48.1	39.2	34.0	24.0	19.7
1.85V	329	263	238	148	109	89.3	58.1	46.2	38.1	33.0	23.6	19.4

CHARACTERISTICS



FINAL VOLTAGE SETTINGS RECOMMENDED ACCORDING TO THE DISCHARGE CURRENT

Discharge Current I (A)	$I < 0.05C$	$0.05C \leq I < 0.08C$	$0.08C \leq I < 0.2C$	$0.2C \leq I < 0.6C$	$0.6C \leq I < 1.0C$	$1C \leq I \leq 2C$
Final of Voltage	≥ 1.90 Vpc	≥ 1.85 Vpc	≥ 1.80 Vpc	≥ 1.75 Vpc	≥ 1.7 Vpc	≥ 1.6 Vpc

HEADQUARTERS AND SUBSIDIARIES

- BSB Power Company Limited (HQ)
- BSB Power Europe (France)
- BSB Power Malaysia Sdn. Bhd
- PT. BSB Indonesia
- BSB Power (Thailand) Co., Ltd
- BSB Power Company Pakistan Ltd

