

## FAG SERIES VRLA BATTERY

By combining the newly developed nano gel electrolyte with up-to-date AGM structures, BSB created the innovation FAG range of batteries. The range features 15 years design life and front access connections for fast, easy installation and maintenance. This range battery is highly suited to telecom outdoor applications, renewable energy systems and other harsh environment applications.



### TECHNICAL SPECIFICATIONS

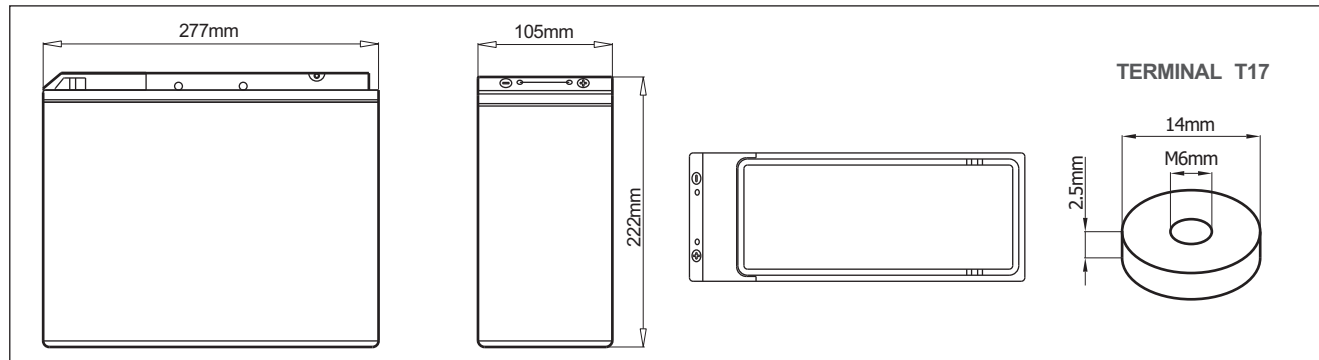
Nominal Voltage (V)	12 (6 cells per unit)
Designed Floating Life (20°C)	15 Years
Nominal Capacity (20°C)	55 Ah @ 10HR-rate (to 1.80Vpc)
Dimension (mm)	L277mm x W105mm x H222mm
Approx. Weight	18.3 kg (40.4 lbs)
Terminal Type	Female Copper Insert M6 (torque: 6~7N.m)
Internal Resistance	Approx. 0.008 Ohm (fully charged @ 20°C)
Max. Charge Current	14A
Max. Discharge Current (5S)	550 A
Short Circuit Current	1500 A
Self Discharge	Approx. 3% per month @ 20°C
Ambient Temperature	Discharge: -25~60°C Charge: -25~60°C Storage: -25~45°C
Float Charge Voltage (20~25°C)	13.5-13.7V (-3mV/ cell/ °C)
Equalize and cycle Use Charge Voltage (20~25°C)	14.1-14.4V (-5mV/ cell / °C)
Container Material	ABS (UL94-V0 optional)



#### Complied standards

- IEC 60896-21/22
- UL1989
- JIS C8704
- GB/T19639

### BATTERY DIMENSIONS

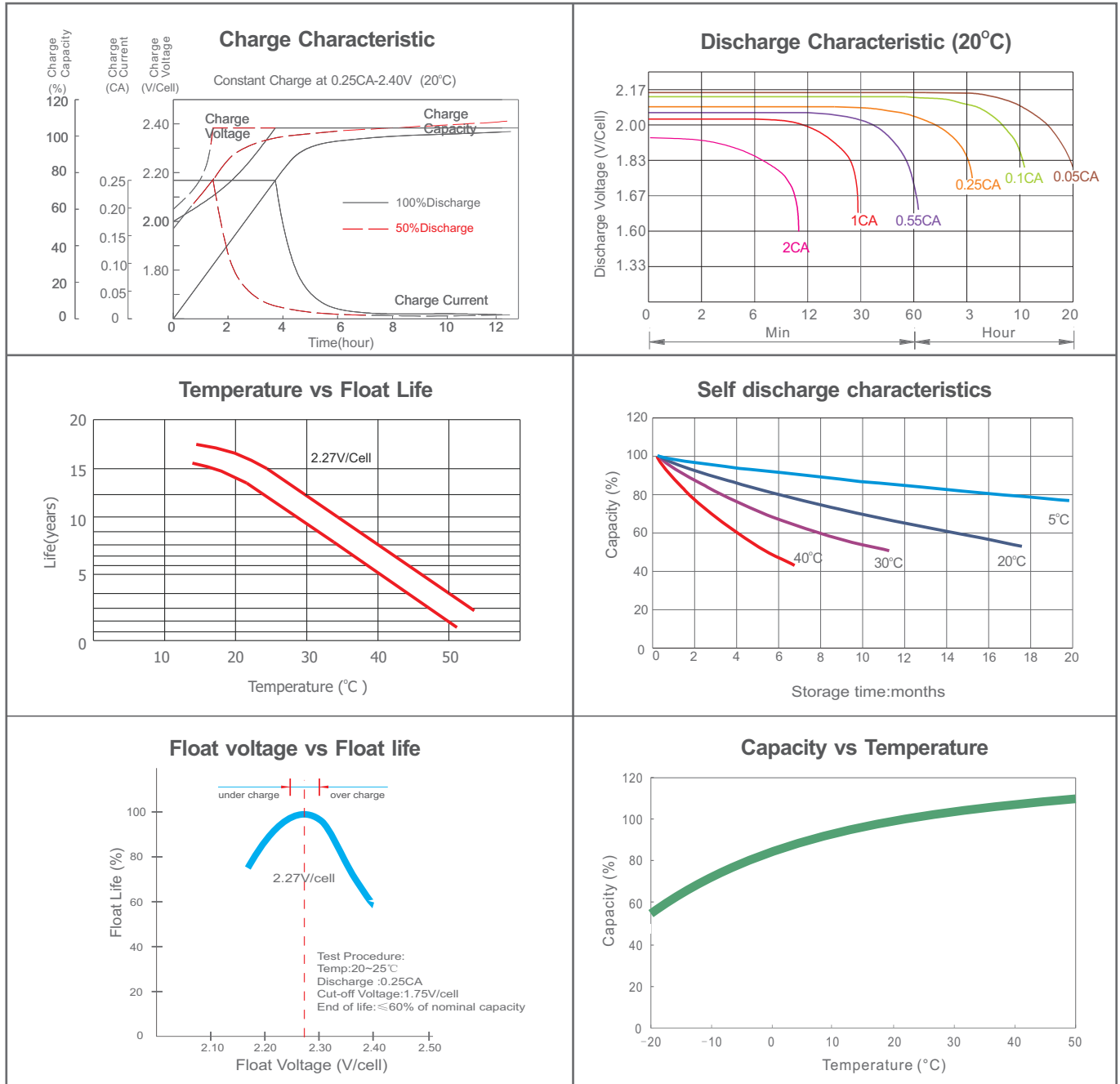


### BATTERY DISCHARGE TABLE

Constant Current Discharge Characteristics: Amps (20°C)												
F.V/Time	5 m in	10 m in	15 m in	30 m in	1 h	2 h	3 h	4 h	5 h	8 h	10 h	20 h
1.60V	156	109	93.9	58.3	38.1	20.9	15.1	12.1	10.0	7.03	5.83	3.03
1.67V	139	101	88.4	56.5	37.2	20.5	14.9	11.9	9.87	6.93	5.76	3.00
1.70V	124	91.5	83.6	54.4	36.7	20.2	14.7	11.8	9.79	6.89	5.69	2.96
1.75V	108	85.0	77.6	52.5	35.8	19.9	14.5	11.6	9.63	6.74	5.61	2.93
1.80V	95.5	77.3	72.4	50.2	34.7	19.3	14.2	11.4	9.50	6.60	5.50	2.92
1.85V	81.7	69.6	65.9	47.3	33.7	18.6	13.6	11.0	9.19	6.36	5.31	2.75

Constant Power Discharge Characteristics: W/cell (20°C)												
F.V/Time	5 m in	10 m in	15 m in	30 m in	1 h	2 h	3 h	4 h	5 h	8 h	10 h	20 h
1.60V	275	196	171	108	71.1	39.2	28.5	23.0	19.0	13.5	11.3	6.01
1.67V	248	183	163	105	69.8	38.8	28.4	22.7	18.6	13.4	11.2	5.96
1.70V	224	168	155	102	69.2	38.6	28.2	22.6	18.9	13.3	11.1	5.90
1.75V	197	158	145	99.1	68.1	38.2	28.0	22.5	18.7	13.2	11.0	5.85
1.80V	177	145	137	95.6	66.5	37.4	27.6	22.2	18.5	13.1	10.9	5.82
1.85V	154	132	126	91.1	65.3	36.3	26.6	21.7	18.2	12.7	10.6	5.53

## CHARACTERISTICS



## FINAL VOLTAGE SETTINGS RECOMMENDED ACCORDING TO THE DISCHARGE CURRENT

Discharge Current I (A)	$I \leq 0.08C$	$0.08C \leq I < 0.2C$	$0.2C \leq I < 0.6C$	$0.6C \leq I < 1.0C$	$I \geq 1.0C$
Final of Voltage	$\geq 1.85V_{pc}$	$\geq 1.80V_{pc}$	$\geq 1.75V_{pc}$	$\geq 1.70V_{pc}$	$\geq 1.60V_{pc}$

## HEADQUARTERS AND SUBSIDIARIES

BSB Power Company Limited (HQ)  
 BSB Power Europe (France)  
 BSB Power Malaysia Sdn. Bhd  
 PT. BSB Indonesia  
 BSB Power (Thailand) Co., Ltd  
 BSB Power Company Pakistan Ltd

