

FA SERIES VRLA BATTERY

Using up-to-date AGM structures, BSB created the innovation FA range of batteries. The range features 12 years design life and front access connections for fast, easy installation and maintenance. This range battery is highly suited to telecom outdoor applications, renewable energy systems and other harsh environment applications.



TECHNICAL SPECIFICATIONS

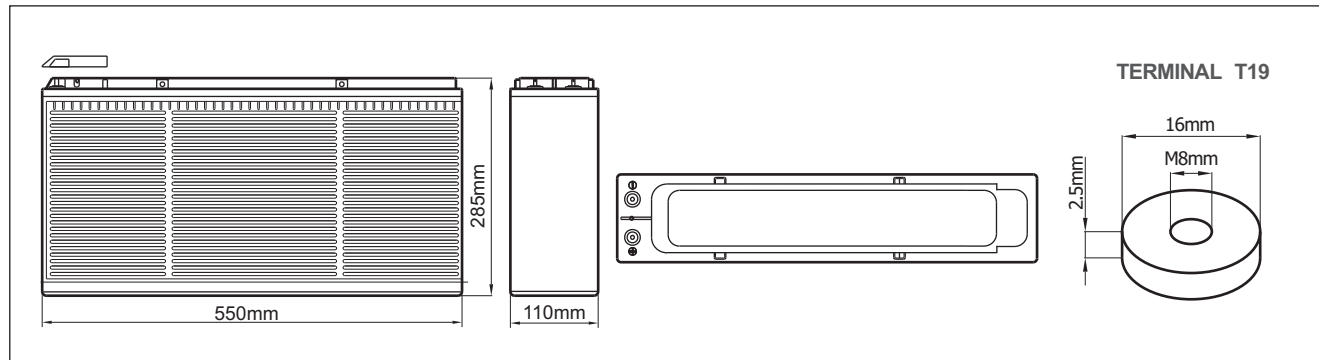
Nominal Voltage (V)	12 (6 cells per unit)
Designed Floating Life (20°C)	12 Years
Nominal Capacity (20°C)	150 Ah @ 10HR-rate (to 1.80Vpc)
Dimension (mm)	L550mm x W110mm x H285mm
Approx. Weight	44.0 kg (97.0 lbs)
Terminal Type	Female Copper Insert M8 (torque:10~12N.m)
Internal Resistance	Approx. 0.005 Ohm (fully charged @ 20°C)
Max. Charge Current	37.5A
Max. Discharge Current (5S)	900 A
Short Circuit Current	2400 A
Self Discharge	Approx. 3% per month @ 20°C
Ambient Temperature	Discharge: -15~60°C Charge: -15~60°C Storage: -15~45°C
Float Charge Voltage (20~25°C)	13.5-13.7V (-3mV/ cell/ °C)
Equalize and cycle Use Charge Voltage (20~25°C)	14.1-14.4V (-5mV/ cell / °C)
Container Material	ABS (UL94-V0 optional)



Complied standards

- IEC 60896-21/22
- UL1989
- JIS C8704
- GB/T19639

BATTERY DIMENSIONS

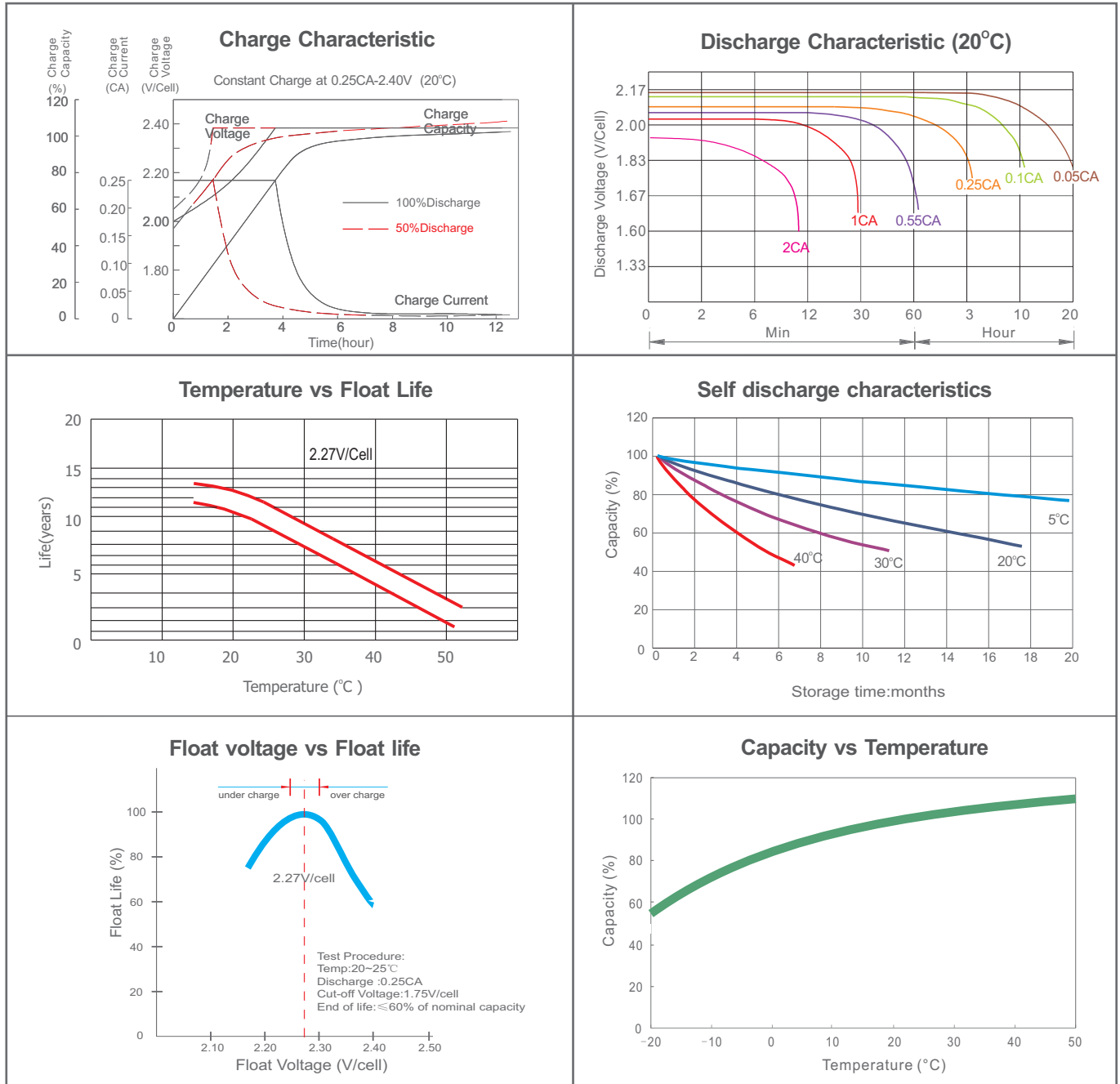


BATTERY DISCHARGE TABLE

Constant Current Discharge Characteristics: Amps (20°C)												
F.V/Time	5 m in	10 m in	15 m in	30 m in	1 h	2 h	3 h	4 h	5 h	8 h	10 h	20 h
1.60V	411	288	247	154	99	56.9	41.2	33.1	27.2	19.2	15.9	8.25
1.67V	367	266	233	149	96.8	56.0	40.7	32.4	26.9	18.9	15.7	8.18
1.70V	327	241	220	143	95.3	55.2	40.2	32.1	26.7	18.8	15.5	8.06
1.75V	285	224	205	138	93.0	54.3	39.6	31.7	26.3	18.4	15.3	7.99
1.80V	252	204	191	132	92.0	52.7	38.7	31.0	25.9	18.0	15.0	7.95
1.85V	215	184	174	125	87.4	50.6	37.0	30.0	25.1	17.3	14.5	7.50

Constant Power Discharge Characteristics: W/cell (20°C)												
F.V/Time	5 m in	10 m in	15 m in	30 m in	1 h	2 h	3 h	4 h	5 h	8 h	10 h	20 h
1.60V	724	518	451	284	185	107	77.8	62.7	51.8	36.8	30.7	16.4
1.67V	654	482	428	277	181	106	77.3	61.8	50.6	36.5	30.5	16.3
1.70V	591	443	409	268	180	105	77.0	61.6	51.5	36.4	30.4	16.1
1.75V	520	416	383	261	177	104	76.4	61.5	51.1	36.1	30.2	16.0
1.80V	466	382	361	252	173	102	75.4	60.6	50.9	35.6	29.8	15.9
1.85V	406	349	332	240	170	99.0	72.7	59.2	49.6	34.6	28.9	15.1

CHARACTERISTICS



FINAL VOLTAGE SETTINGS RECOMMENDED ACCORDING TO THE DISCHARGE CURRENT

Discharge Current I (A)	$I \leq 0.08C$	$0.08C \leq I < 0.2C$	$0.2C \leq I < 0.6C$	$0.6C \leq I < 1.0C$	$I \geq 1.0C$
Final of Voltage	$\geq 1.85V_{pc}$	$\geq 1.80V_{pc}$	$\geq 1.75V_{pc}$	$\geq 1.70V_{pc}$	$\geq 1.60V_{pc}$

HEADQUARTERS AND SUBSIDIARIES

BSB Power Company Limited (HQ)
 BSB Power Europe (France)
 BSB Power Malaysia Sdn. Bhd
 PT. BSB Indonesia
 BSB Power (Thailand) Co., Ltd
 BSB Power Company Pakistan Ltd

