

Deep Cycle SLA Battery

Range Summary

By combining up-to-date DCP additives in the positive plates and special AGM separators, BSB created an innovative range of DC batteries. The range features 70% higher cyclic life with 12 years of float life when compared with standard Duration range. The battery series is highly suited to very unreliable power applications requiring the batteries to provide extra cyclic life performance such as outdoor applications, small RE systems and electric vehicles.

Application

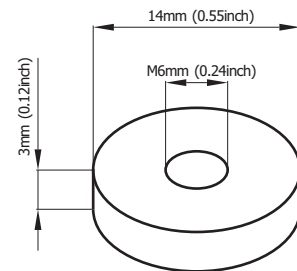
- Solar Energy System
- Golf Cars and Buggies
- Electric Powered Vehicles
- Wheel Chairs
- Power Tools
- Electric Powered Toys
- Control System
- Vacuum Cleaners
- Medical Equipments
- UPS

General Features

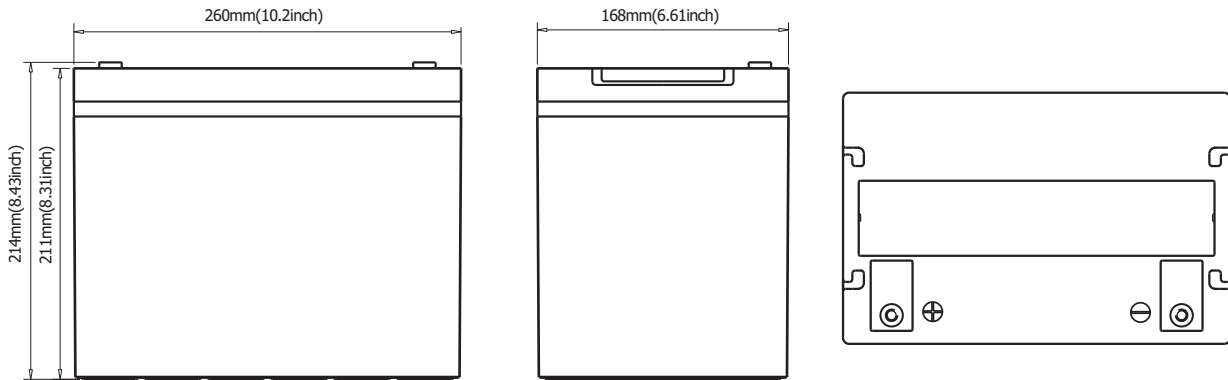
- Sealed and maintenance free operation.
- Non-Spillable construction design.
- ABS containers and covers(UL94 V0,optional).
- Safety valve installation for explosion proof.
- High quality and high reliability.
- Exceptional deep discharge recovery performance.
- Low self discharge characteristic.
- Flexible design for multiple installation positions.

Construction

- PositiveLead dioxide
- NegativeLead
- ContainerABS
- CoverABS
- SealantEpoxy Resin
- Safety valveEPDR
- TerminalCopper
- SeparatorAGM
- ElectrolyteSulfuric acid

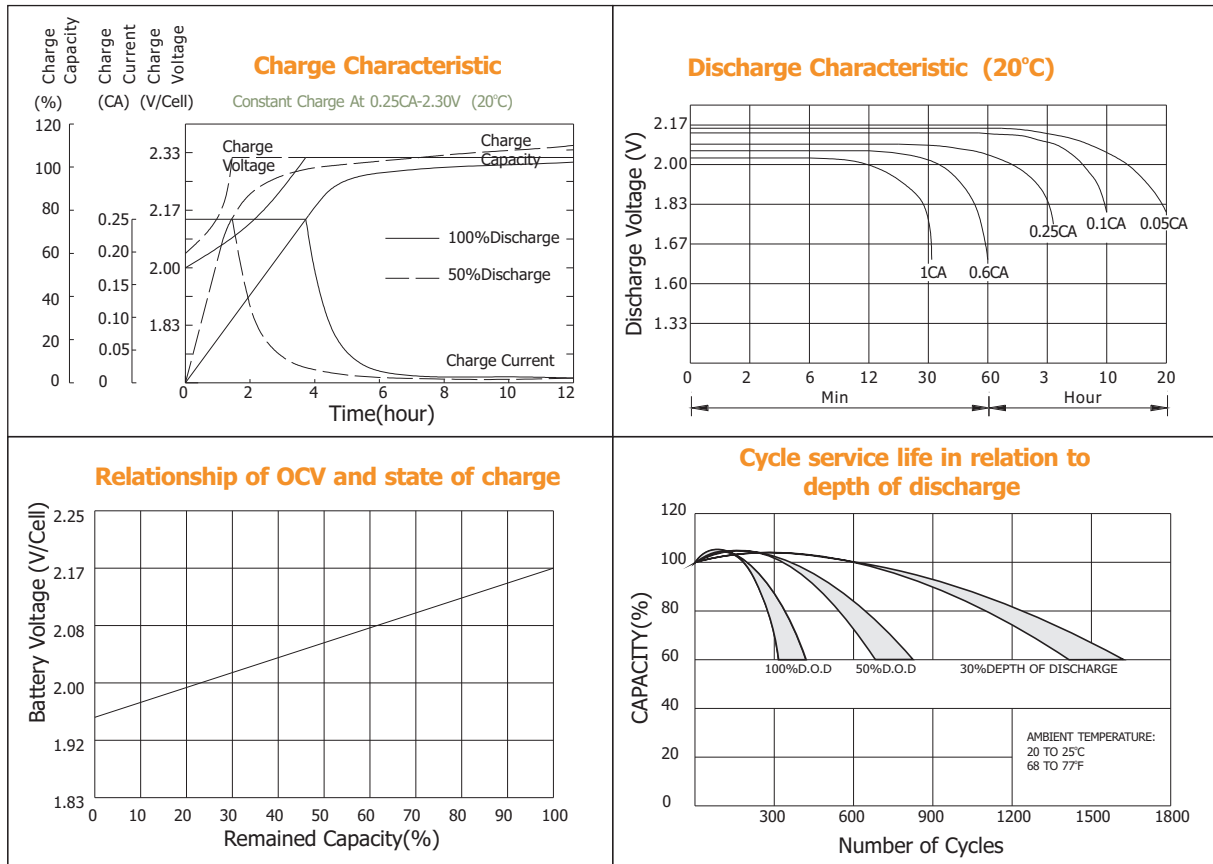


Terminal Dimensions



Battery Model	DC 12-80			
Designed Cycle Life	> 350 cycles @ -0.5CA to 9.6V			
Capacity(20°C)	20HR(4.2A,1.80V)	10HR(8A,1.75V)	5HR(13.6A,1.75V)	1HR(50A,1.60V)
	84AH	80AH	68AH	50AH
Dimensions	Length	Width	Height	Total Height
	260mm(10.2inch)	168mm(6.61inch)	211mm(8.31inch)	214mm(8.43inch)
Approx. Weight	23Kg (50.7 lbs)			
Internal Resistance	Full charged at 20°C: 0.0054 Ohm			
Self Discharge	3% of capacity declined per month at (20°C)			
Capacity Affected by Temp.(20HR)	40°C	20°C	0°C	-15°C
	102%	100%	85%	65%
Charge Voltage(20°C)	Cycle use		Float use	
	14.4-14.8V(-30mV/ °C), max. Current: 20A		13.6-13.8V(-20mV/ °C)	

Deep Cycle SLA Battery



Constant current discharge ratings-amperes at 20°C

F.V/Time	5MIN	10MIN	15MIN	30MIN	1HR	3HR	5HR	10HR	20HR
1.60V	280	192	140	84.0	52.8	21.8	15.3	8.48	4.22
1.67V	252	175	136	81.6	52.7	21.8	15.1	8.36	4.20
1.70V	239	169	131	80.0	52.6	21.8	15.1	8.29	4.20
1.75V	213	156	124	78.4	52.0	21.6	15.0	8.15	4.18
1.80V	192	145	118	76.0	51.4	21.5	14.9	8.01	4.03
1.85V	146	119	102	69.9	50.8	21.4	14.8	7.87	3.79

Constant power discharge ratings-watts at 20°C

F.V/Time	5MIN	10MIN	15MIN	30MIN	1HR	3HR	5HR	10HR	20HR
1.60V	462	318	248	158	104	41.9	29.2	17.0	8.43
1.67V	438	314	246	155	101	41.9	29.2	16.7	8.40
1.70V	409	306	242	151	97.9	41.9	29.2	16.6	8.40
1.75V	381	286	227	147	97.0	41.3	28.9	16.3	8.36
1.80V	342	266	214	143	95.4	40.7	28.4	16.0	8.07
1.85V	274	221	186	131	94.5	40.6	28.0	15.7	7.58

