

DURATION SERIES VRLA BATTERY

By combining up-to-date DCP-II formula in the positive plates and enhanced electrolyte for VRLA, BSB created an innovative range of DC batteries. This range features deep cycling use with higher cyclic life when compared with the standard Duration range. This series is highly suited to cyclic applications such as outdoor applications, small RE systems and electric vehicles.

12 V voltage **35Ah** capacity **AGM** tech **Enhanced deep cycling**



TECHNICAL SPECIFICATIONS

Nominal Voltage (V)	12 (6 cells per unit)
Designed Floating Life (20°C)	5 Years
Nominal Capacity (25°C)	35 Ah @ 20HR-rate (to 1.75Vpc)
Dimension (mm)	L195mm x W130mm x H180mm
Approx. Weight	11.2 kg (24.7 lbs)
Terminal Type	Terminal T7
Internal Resistance	Approx. 0.009 Ohm (fully charged @ 25°C)
Max. Charge Current	10.5 A
Max. Discharge Current (5S)	400 A
Short Circuit Current	1300 A
Self Discharge	Approx. 3% per month @ 20°C
Ambient Temperature	Discharge: -15~55°C Charge: -15~45°C Storage: -15~45°C
Float Charge Voltage (20~25°C)	13.6-13.8V (-3mV/ cell/ °C)
Equalize and cycle Use Charge Voltage (20~25°C)	14.4-14.8V (-5mV/ cell / °C)
Container Material	ABS (UL94-V0 optional)



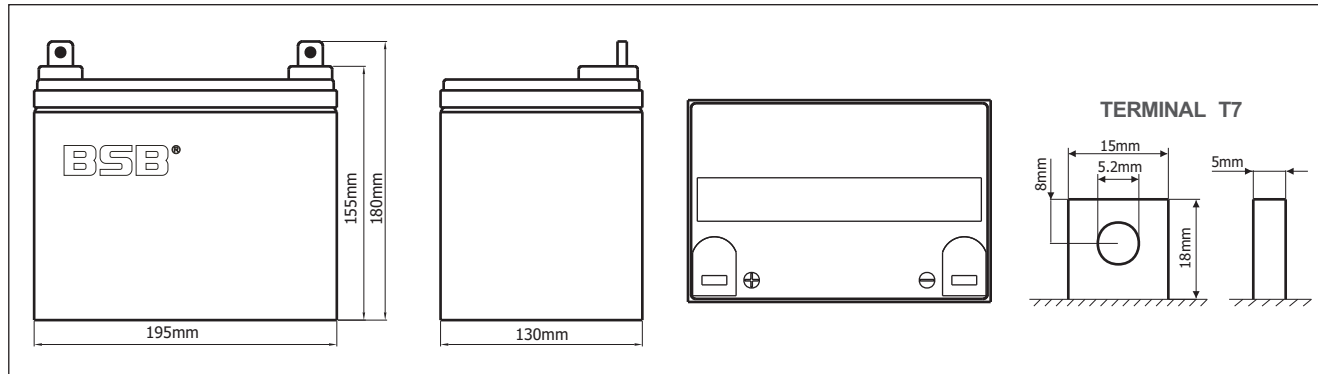
ISO9001 ISO14001



Complied standards

- IEC 60896-21/22
- UL1989
- JIS C8704
- GB/T19638

BATTERY DIMENSIONS

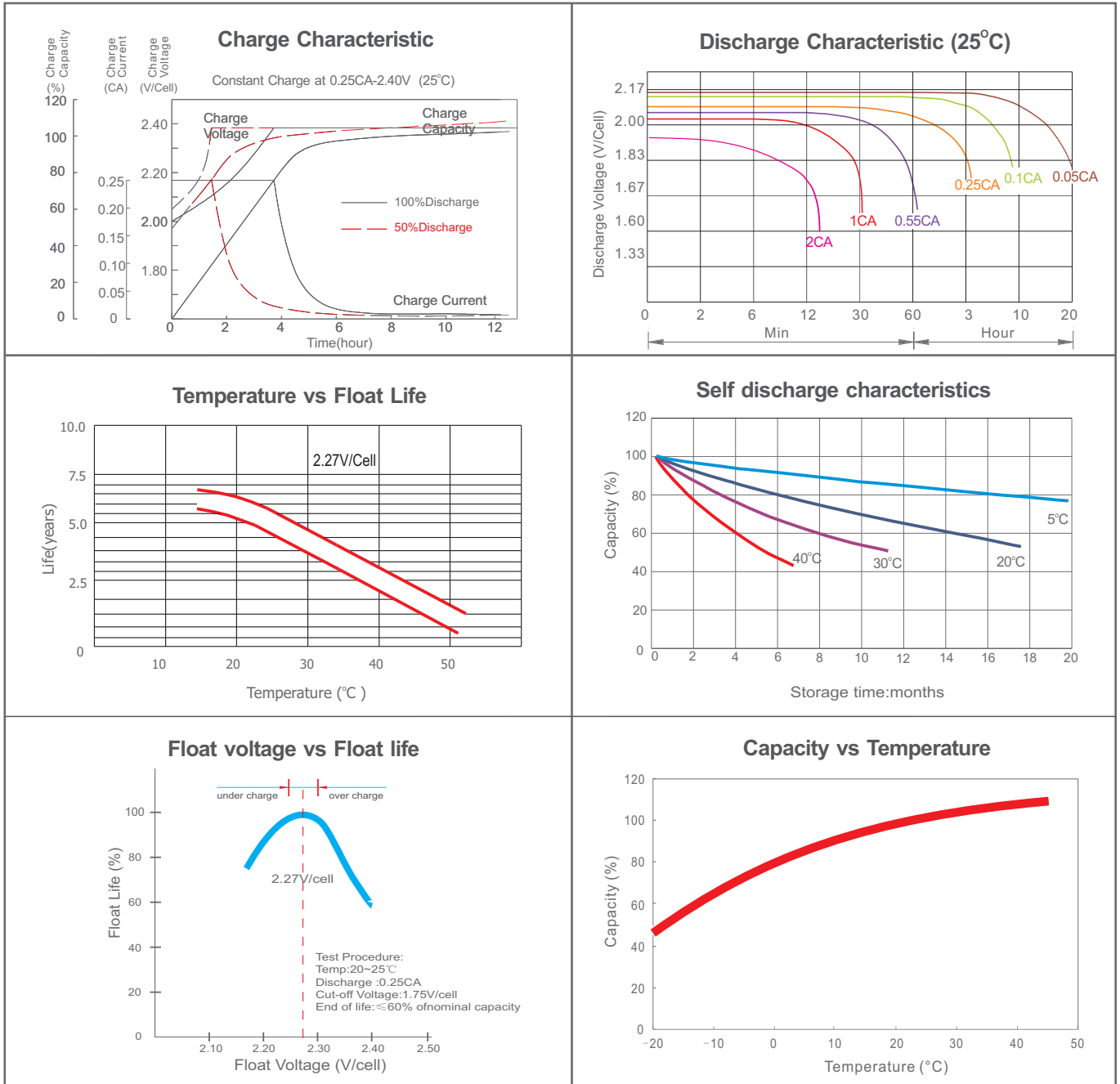


BATTERY DISCHARGE TABLE

Constant Current Discharge Characteristics: Amps (25°C)											
F.V/Time	10m in	15m in	30m in	1h	2h	3h	4h	5h	8h	10h	20h
1.60V	83.5	63.7	37.9	22.6	13.5	9.64	7.62	6.29	4.24	3.47	1.86
1.67V	80.6	61.5	37.0	22.3	13.4	9.55	7.51	6.22	4.19	3.43	1.82
1.70V	77.2	60.0	36.4	22.0	13.2	9.46	7.42	6.14	4.14	3.39	1.79
1.75V	73.7	58.5	35.6	21.6	13.0	9.37	7.34	6.06	4.10	3.35	1.75
1.80V	69.7	57.1	34.9	21.1	12.9	9.22	7.25	5.99	4.06	3.31	1.71
1.85V	65.7	55.6	34.2	20.8	12.7	9.11	7.17	5.93	4.00	3.27	1.67

Constant Power Discharge Characteristics: W/cell (25°C)											
F.V/Time	10m in	15m in	30m in	1h	2h	3h	4h	5h	8h	10h	20h
1.60V	150	116	70.1	42.1	25.4	18.2	14.5	12.0	8.15	6.70	3.60
1.67V	146	113	68.8	41.8	25.2	18.1	14.4	11.9	8.11	6.66	3.56
1.70V	142	111	68.2	41.4	25.0	18.0	14.3	11.8	8.07	6.63	3.53
1.75V	137	110	67.2	41.1	24.9	17.9	14.2	11.7	8.06	6.60	3.47
1.80V	131	108	66.5	40.6	24.8	17.8	14.1	11.6	8.03	6.57	3.42
1.85V	125	106	65.9	40.4	24.6	17.7	14.0	11.5	7.98	6.53	3.35

CHARACTERISTICS



FINAL VOLTAGE SETTINGS RECOMMENDED ACCORDING TO THE DISCHARGE CURRENT

Discharge Current I (A)	$I \leq 0.08C$	$0.08C \leq I < 0.2C$	$0.2C \leq I < 0.6C$	$0.6C \leq I < 1.0C$	$I \geq 1.0C$
Final of Voltage	$\geq 1.85V_{pc}$	$\geq 1.80V_{pc}$	$\geq 1.75V_{pc}$	$\geq 1.7V_{pc}$	$\geq 1.6V_{pc}$

HEADQUARTERS AND SUBSIDIARIES

BSB Power Company Limited (HQ)
 BSB Power Europe (France)
 BSB Power Malaysia Sdn. Bhd
 PT. BSB Indonesia
 BSB Power (Thailand) Co., Ltd
 BSB Power Company Pakistan Ltd

